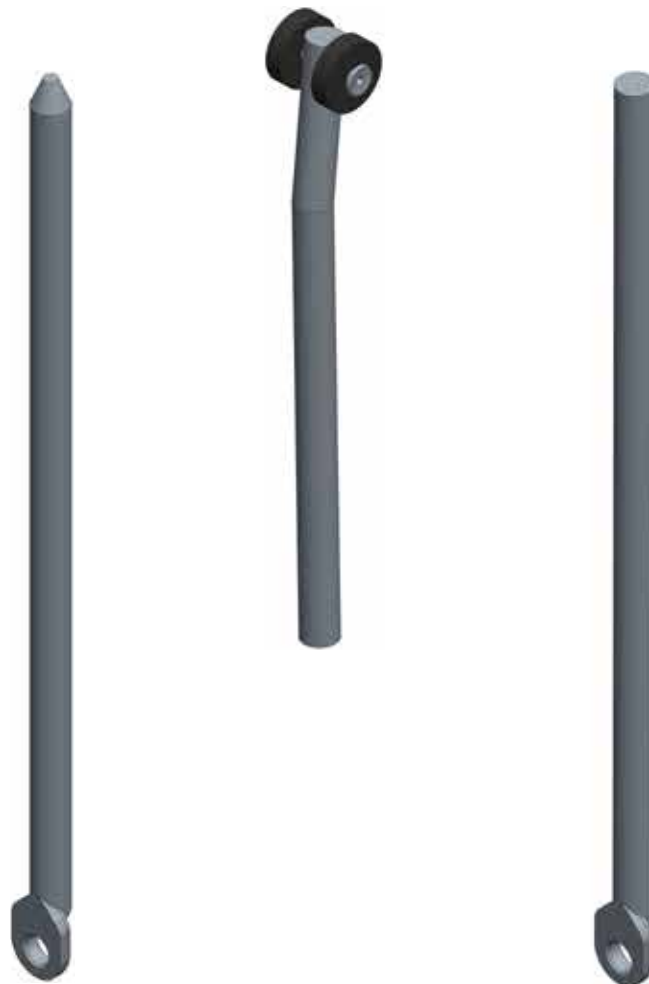
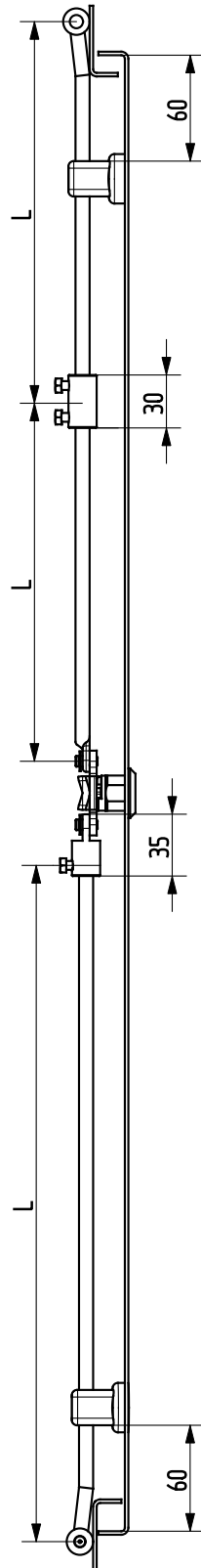
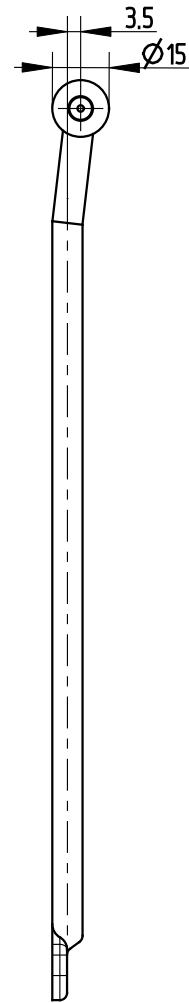
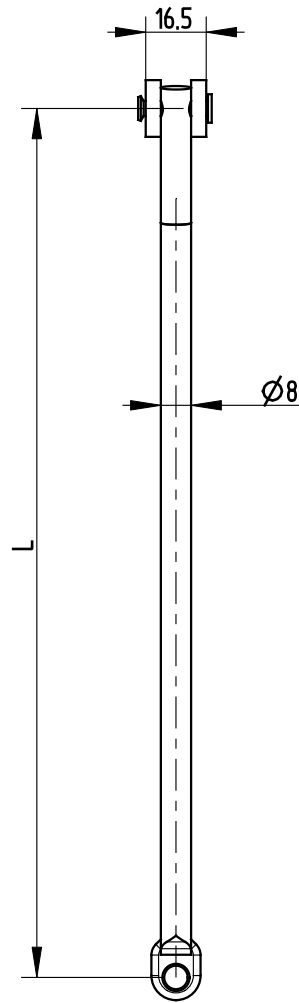


## RODS



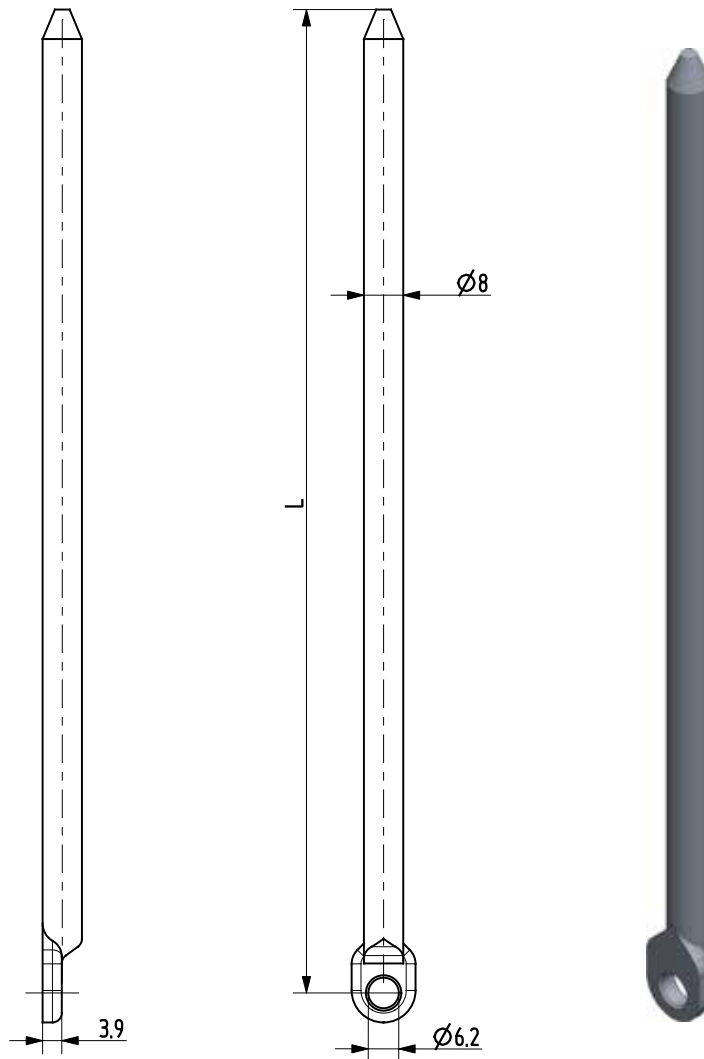
### Rods, Adapters and Rod guides





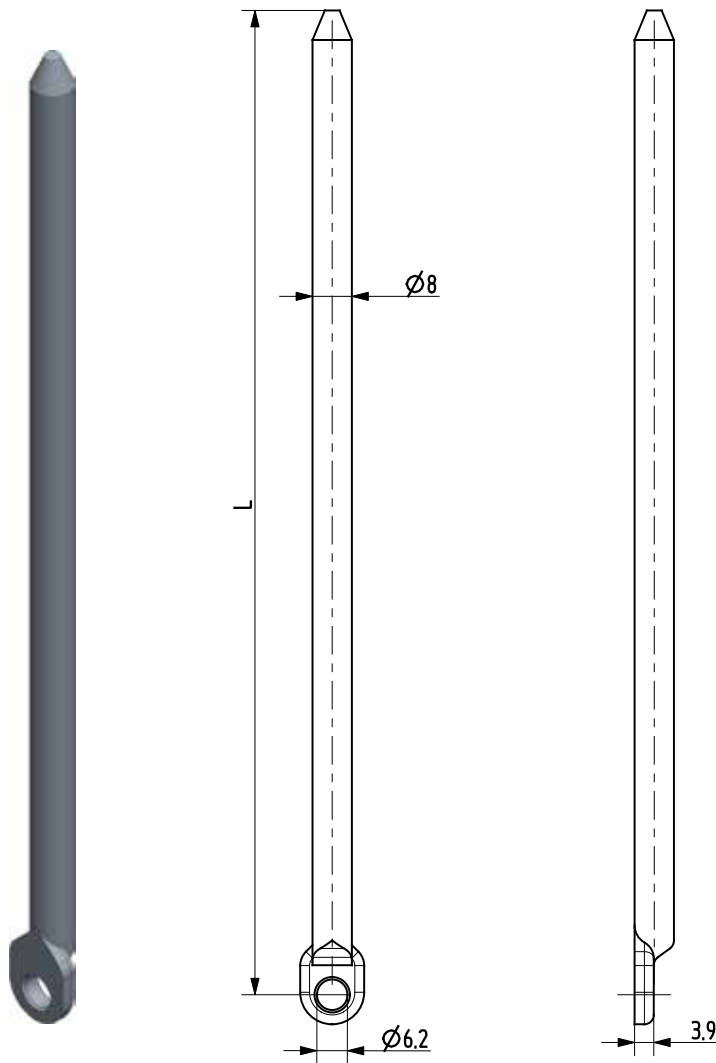
Part no.	L (mm; from-to)	Material	Surface	Part no.	L (mm; from-to)	Material	Surface		
90ST-KR041-01	400	ST	zinc plated	90KO-KR041-00	400	1.4301	-		
90ST-KR042-01	401	450	ST	zinc plated	90KO-KR042-00	401	450	1.4301	-
90ST-KR043-01	451	500	ST	zinc plated	90KO-KR043-00	451	500	1.4301	-
90ST-KR044-01	501	550	ST	zinc plated	90KO-KR044-00	501	550	1.4301	-
90ST-KR045-01	551	600	ST	zinc plated	90KO-KR045-00	551	600	1.4301	-
90ST-KR046-01	601	650	ST	zinc plated	90KO-KR046-00	601	650	1.4301	-
90ST-KR047-01	651	700	ST	zinc plated	90KO-KR047-00	651	700	1.4301	-
90ST-KR048-01	701	750	ST	zinc plated	90KO-KR048-00	701	750	1.4301	-
90ST-KR049-01	751	800	ST	zinc plated	90KO-KR049-00	751	800	1.4301	-
90ST-KR050-01	801	850	ST	zinc plated	90KO-KR050-00	801	850	1.4301	-
90ST-KR051-01	851	900	ST	zinc plated	90KO-KR051-00	851	900	1.4301	-
90ST-KR052-01	901	950	ST	zinc plated	90KO-KR052-00	901	950	1.4301	-
90ST-KR053-01	951	1000	ST	zinc plated	90KO-KR053-00	951	1000	1.4301	-
90ST-KR054-01	1001	1050	ST	zinc plated	90KO-KR054-00	1001	1050	1.4301	-
90ST-KR055-01	1051	1100	ST	zinc plated	90KO-KR055-00	1051	1100	1.4301	-
90ST-KR056-01	1101	1150	ST	zinc plated	90KO-KR056-00	1101	1150	1.4301	-
90ST-KR057-01	1151	1200	ST	zinc plated	90KO-KR057-00	1151	1200	1.4301	-

**Note:**  
 minimum order  
 quantity of 100 units  
 (otherwise we need  
 to apply a surcharge)



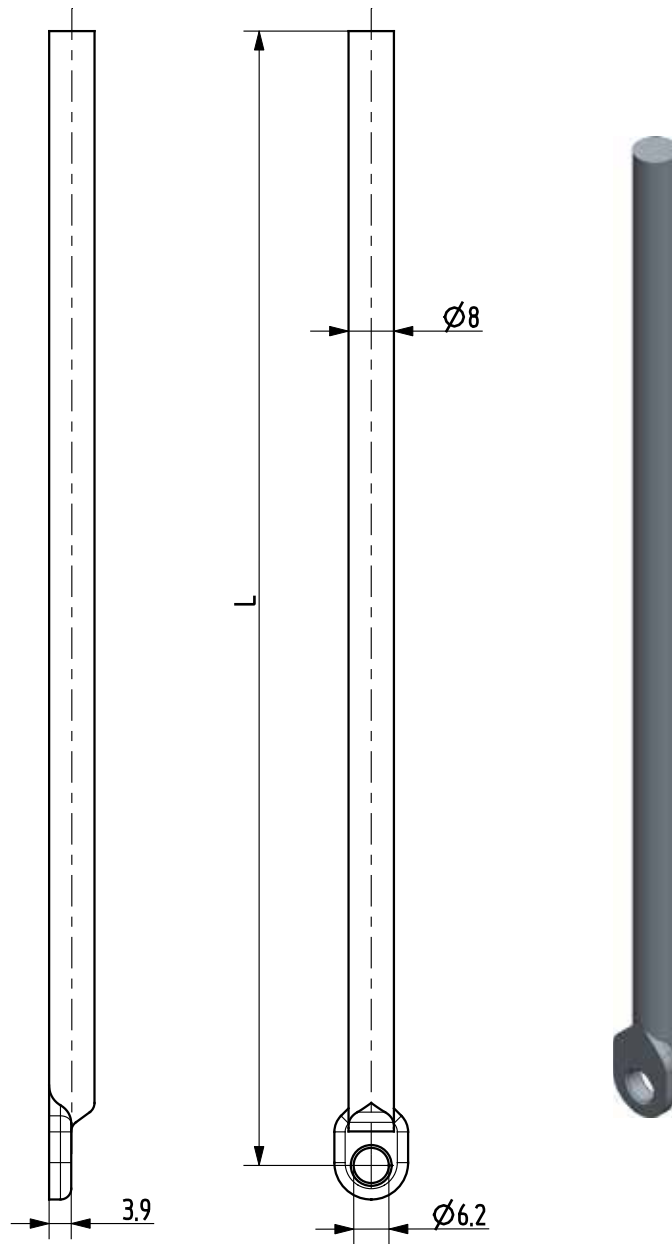
**Note:**  
 minimum order  
 quantity of 100 units  
 (otherwise we need  
 to apply a surcharge)

Part no.	L (mm; from-to)	Material	Surface	Part no.	L (mm; from-to)	Material	Surface
90ST-R001-01	400	ST	zinc plated	90KO-R001-00	400	1.4301	-
90ST-R002-01	401	ST	zinc plated	90KO-R002-00	401	1.4301	-
90ST-R003-01	451	ST	zinc plated	90KO-R003-00	451	1.4301	-
90ST-R004-01	501	ST	zinc plated	90KO-R004-00	501	1.4301	-
90ST-R005-01	551	ST	zinc plated	90KO-R005-00	551	1.4301	-
90ST-R006-01	601	ST	zinc plated	90KO-R006-00	601	1.4301	-
90ST-R007-01	651	ST	zinc plated	90KO-R007-00	651	1.4301	-
90ST-R008-01	701	ST	zinc plated	90KO-R008-00	701	1.4301	-
90ST-R009-01	751	ST	zinc plated	90KO-R009-00	751	1.4301	-
90ST-R010-01	801	ST	zinc plated	90KO-R010-00	801	1.4301	-
90ST-R011-01	851	ST	zinc plated	90KO-R011-00	851	1.4301	-
90ST-R012-01	901	ST	zinc plated	90KO-R012-00	951	1.4301	-
90ST-R013-01	951	ST	zinc plated	90KO-R013-00	1001	1.4301	-
90ST-R014-01	1001	ST	zinc plated	90KO-R014-00	1051	1.4301	-
90ST-R015-01	1051	ST	zinc plated	90KO-R015-00	1101	1.4301	-
90ST-R016-01	1101	ST	zinc plated	90KO-R016-00	1151	1.4301	-
90ST-R017-01	1151	ST	zinc plated				

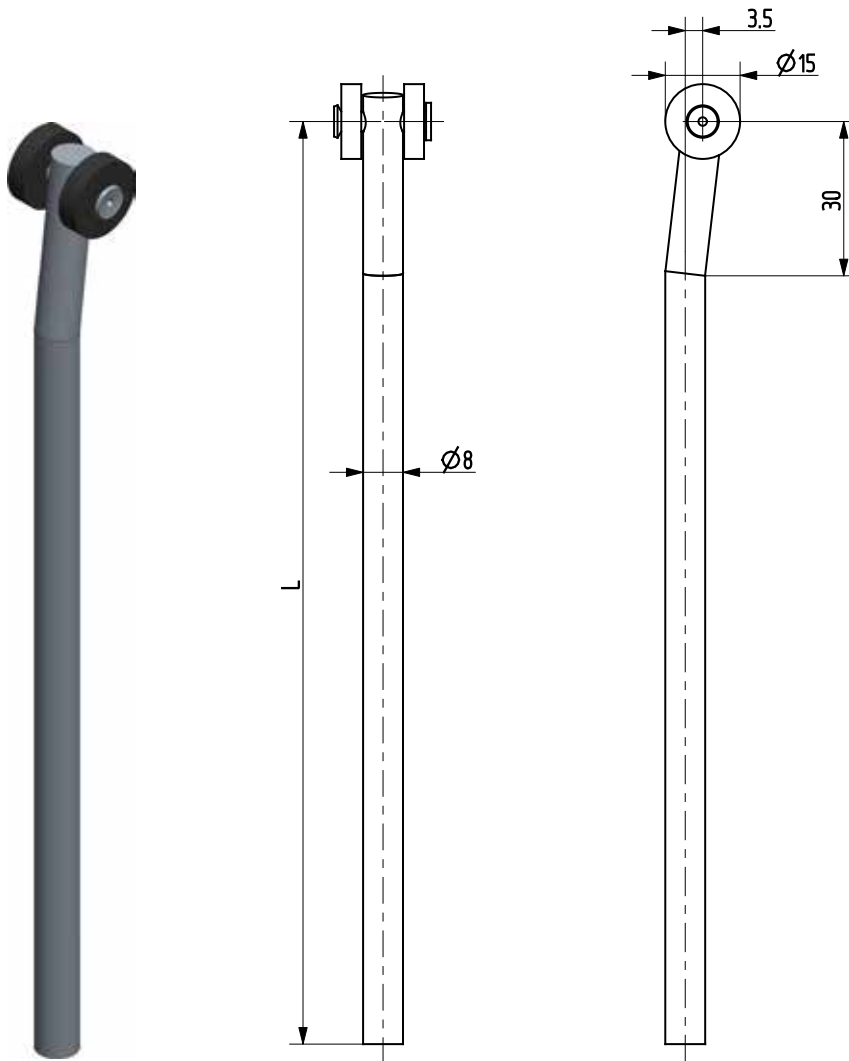


**Note:**  
 minimum order  
 quantity of 100 units  
 (otherwise we need  
 to apply a surcharge)

Part no.	L (mm; from-to)	Material	Surface	Part no.	L (mm; from-to)	Material	Surface		
90ST-R021-01	400	ST	zinc plated	90KO-R021-00	400	1.4301	-		
90ST-R022-01	401	450	ST	zinc plated	90KO-R022-00	401	450	1.4301	-
90ST-R023-01	451	500	ST	zinc plated	90KO-R023-00	451	500	1.4301	-
90ST-R024-01	501	550	ST	zinc plated	90KO-R024-00	501	550	1.4301	-
90ST-R025-01	551	600	ST	zinc plated	90KO-R025-00	551	600	1.4301	-
90ST-R026-01	601	650	ST	zinc plated	90KO-R026-00	601	650	1.4301	-
90ST-R027-01	651	700	ST	zinc plated	90KO-R027-00	651	700	1.4301	-
90ST-R028-01	701	750	ST	zinc plated	90KO-R028-00	701	750	1.4301	-
90ST-R029-01	751	800	ST	zinc plated	90KO-R029-00	751	800	1.4301	-
90ST-R030-01	801	850	ST	zinc plated	90KO-R030-00	801	850	1.4301	-
90ST-R031-01	851	900	ST	zinc plated	90KO-R031-00	851	900	1.4301	-
90ST-R032-01	901	950	ST	zinc plated	90KO-R032-00	901	950	1.4301	-
90ST-R033-01	951	1000	ST	zinc plated	90KO-R033-00	951	1000	1.4301	-
90ST-R034-01	1001	1050	ST	zinc plated	90KO-R034-00	1001	1050	1.4301	-
90ST-R035-01	1051	1100	ST	zinc plated	90KO-R035-00	1051	1100	1.4301	-
90ST-R036-01	1101	1150	ST	zinc plated	90KO-R036-00	1101	1150	1.4301	-
90ST-R037-01	1151	1200	ST	zinc plated	90KO-R037-00	1151	1200	1.4301	-

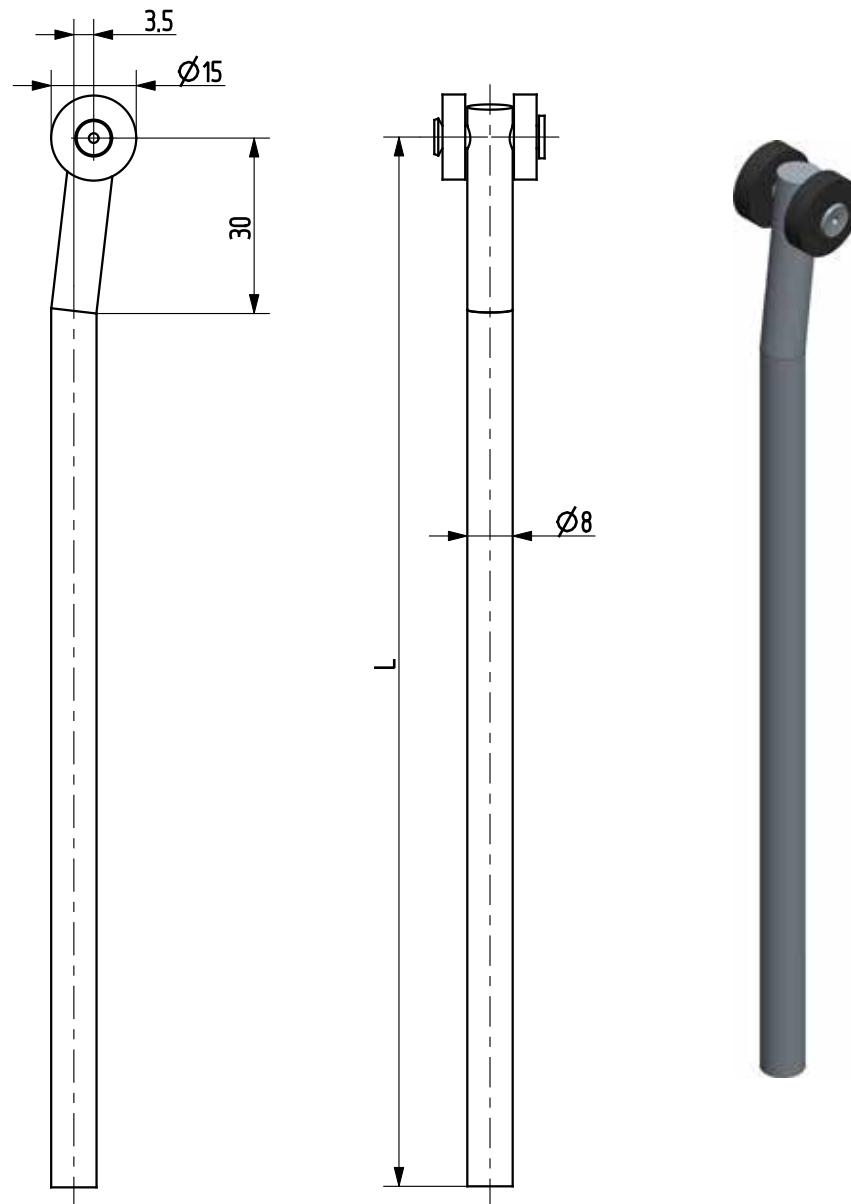


Part no.	L (mm)	Material	Surface	Part no.	L (mm)	Material	Surface
90ST-R076-01	400	ST	zinc plated	90KO-R076-00	400	1.4301	-
90ST-R077-01	500	ST	zinc plated	90KO-R077-00	500	1.4301	-
90ST-R078-01	600	ST	zinc plated	90KO-R078-00	600	1.4301	-
90ST-R079-01	700	ST	zinc plated	90KO-R079-00	700	1.4301	-
90ST-R080-01	800	ST	zinc plated	90KO-R080-00	800	1.4301	-
90ST-R081-01	900	ST	zinc plated	90KO-R081-00	900	1.4301	-
90ST-R082-01	1000	ST	zinc plated	90KO-R082-00	1000	1.4301	-
90ST-R083-01	1100	ST	zinc plated	90KO-R083-00	1100	1.4301	-
90ST-R084-01	1200	ST	zinc plated	90KO-R084-00	1200	1.4301	-



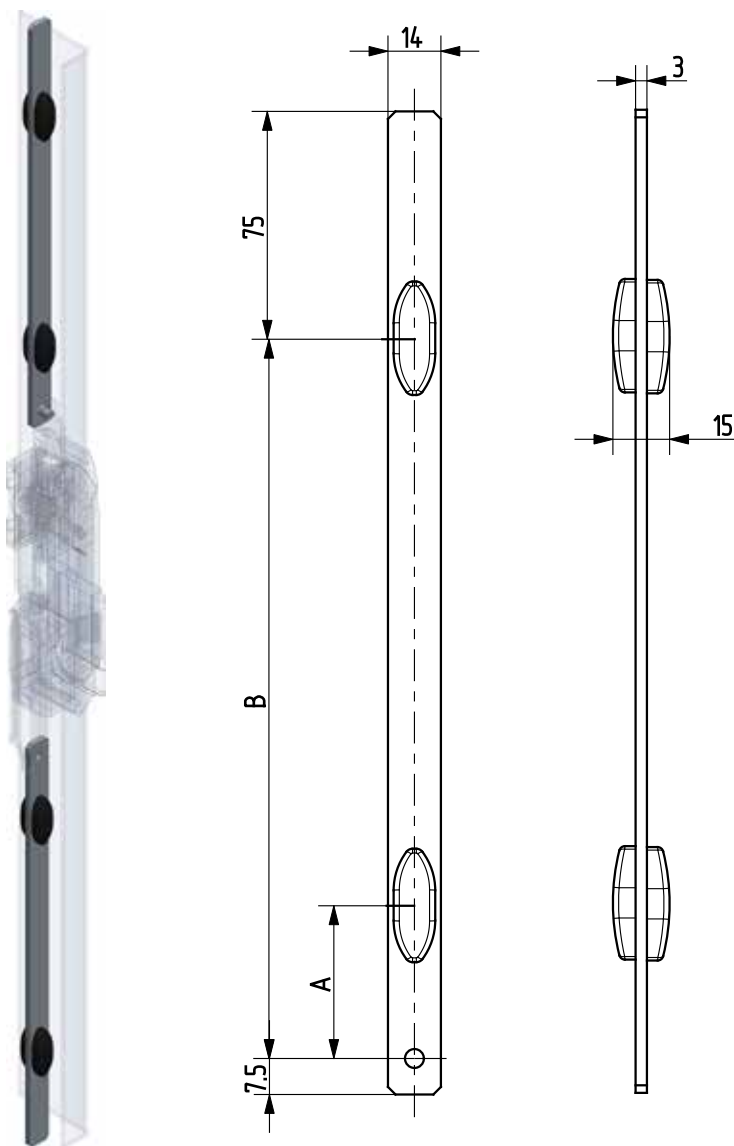
Part no.	L (mm; from-to)	Material	Surface	Part no.	L (mm; from-to)	Material	Surface		
90ST-KR061-01	400	ST	zinc plated	90KO-KR061-00	400	1.4301	-		
90ST-KR062-01	401	450	ST	zinc plated	90KO-KR062-00	401	450	1.4301	-
90ST-KR063-01	451	500	ST	zinc plated	90KO-KR063-00	451	500	1.4301	-
90ST-KR064-01	501	550	ST	zinc plated	90KO-KR064-00	501	550	1.4301	-
90ST-KR066-01	551	600	ST	zinc plated	90KO-KR065-00	551	600	1.4301	-
90ST-KR067-01	601	650	ST	zinc plated	90KO-KR066-00	601	650	1.4301	-
90ST-KR068-01	651	700	ST	zinc plated	90KO-KR067-00	651	700	1.4301	-
90ST-KR069-01	701	750	ST	zinc plated	90KO-KR068-00	701	750	1.4301	-
90ST-KR070-01	751	800	ST	zinc plated	90KO-KR069-00	751	800	1.4301	-
90ST-KR071-01	801	850	ST	zinc plated	90KO-KR070-00	801	850	1.4301	-
90ST-KR072-01	851	900	ST	zinc plated	90KO-KR071-00	851	900	1.4301	-
90ST-KR073-01	901	950	ST	zinc plated	90KO-KR072-00	901	950	1.4301	-
90ST-KR074-01	951	1000	ST	zinc plated	90KO-KR073-00	951	1000	1.4301	-
90ST-KR075-01	1001	1050	ST	zinc plated	90KO-KR074-00	1001	1050	1.4301	-
90ST-KR076-01	1051	1100	ST	zinc plated	90KO-KR075-00	1051	1100	1.4301	-
90ST-KR077-01	1101	1150	ST	zinc plated	90KO-KR076-00	1101	1150	1.4301	-
90ST-KR078-01	1151	1200	ST	zinc plated	90KO-KR077-00	1151	1200	1.4301	-

**Note:**  
 minimum order  
 quantity of 100 units  
 (otherwise we need  
 to apply a surcharge)

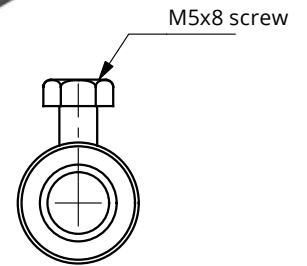
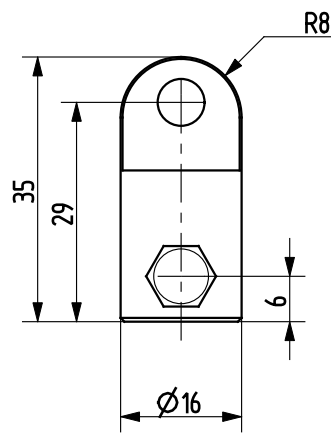
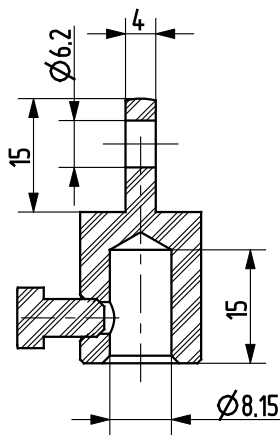


Part no.	L (mm)	Material	Surface	Part no.	L (mm)	Material	Surface
90ST-KR085-01	400	ST	zinc plated	90KO-KR085-00	400	1.4301	-
90ST-KR086-01	500	ST	zinc plated	90KO-KR086-00	500	1.4301	-
90ST-KR087-01	600	ST	zinc plated	90KO-KR087-00	600	1.4301	-
90ST-KR088-01	700	ST	zinc plated	90KO-KR088-00	700	1.4301	-
90ST-KR089-01	800	ST	zinc plated	90KO-KR089-00	800	1.4301	-
90ST-KR090-01	900	ST	zinc plated	90KO-KR090-00	900	1.4301	-
90ST-KR091-01	1000	ST	zinc plated	90KO-KR091-00	1000	1.4301	-
90ST-KR092-01	1100	ST	zinc plated	90KO-KR092-00	1100	1.4301	-
90ST-KR093-01	1200	ST	zinc plated	90KO-KR093-00	1200	1.4301	-

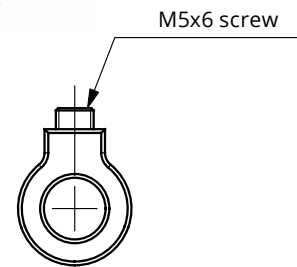
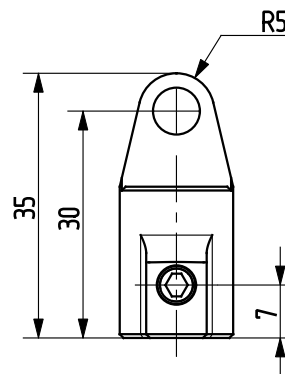
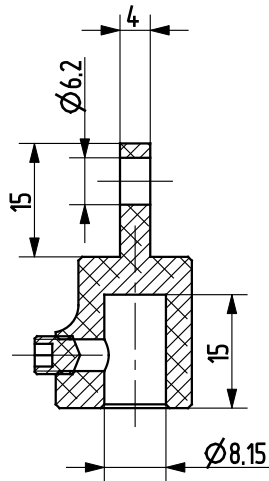




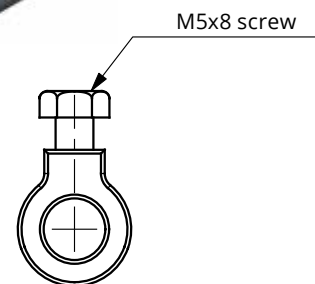
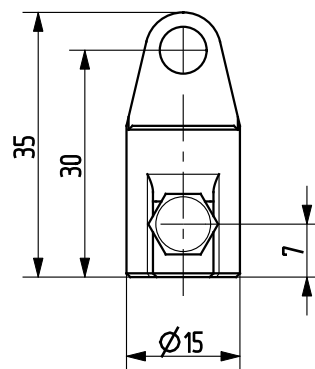
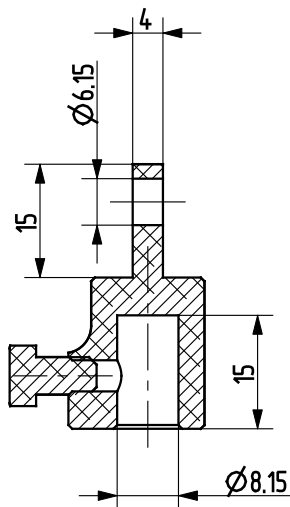
Part no.	A (mm)	B (mm)	Material	Surface
90ST-KR094-01	-	126.5	ST	zinc plated
90ST-KR095-01	-	276.5	ST	zinc plated
90ST-KR096-01	101.5	526.5	ST	zinc plated
90ST-KR097-01	101.5	676.5	ST	zinc plated



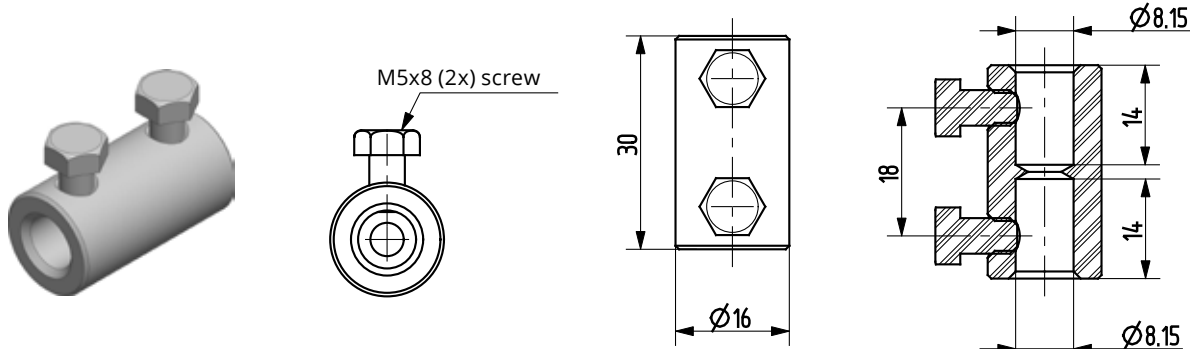
Part no.	Material	Surface
90KO-KAD006-00	1.4305	-



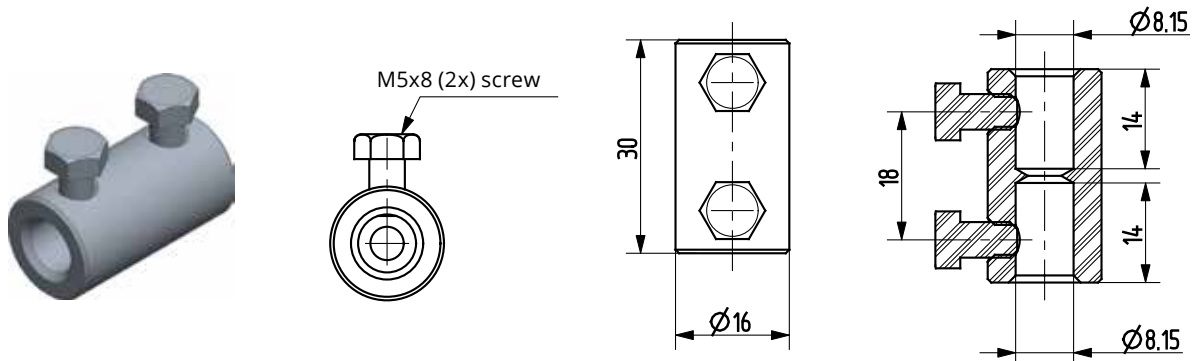
Part no.	Material	Surface
90ZA-KAD001-00	zinc die	-



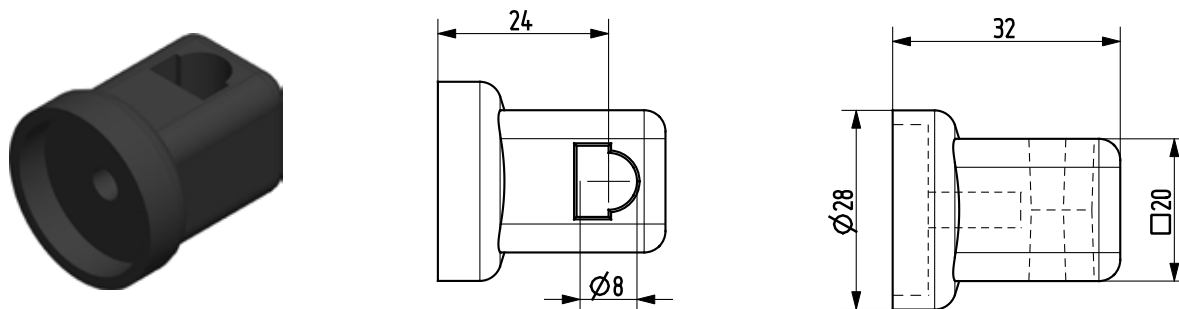
Part no.	Material	Surface
90ZA-KAD002-00	zinc die	-



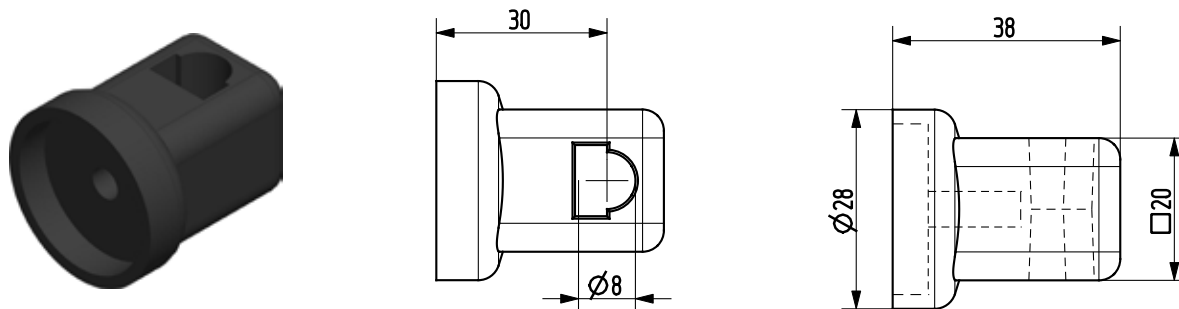
Part no.	Material	Surface
90KO-KAD010-00	1.4305	-



Part no.	Material	Surface
90ST-KAD006-01	ST	zinc plated



Part no.	Material	Surface
90PA-RV004-00	PA	-



Part no.	Material	Surface
90PA-RV003-00	PA	-