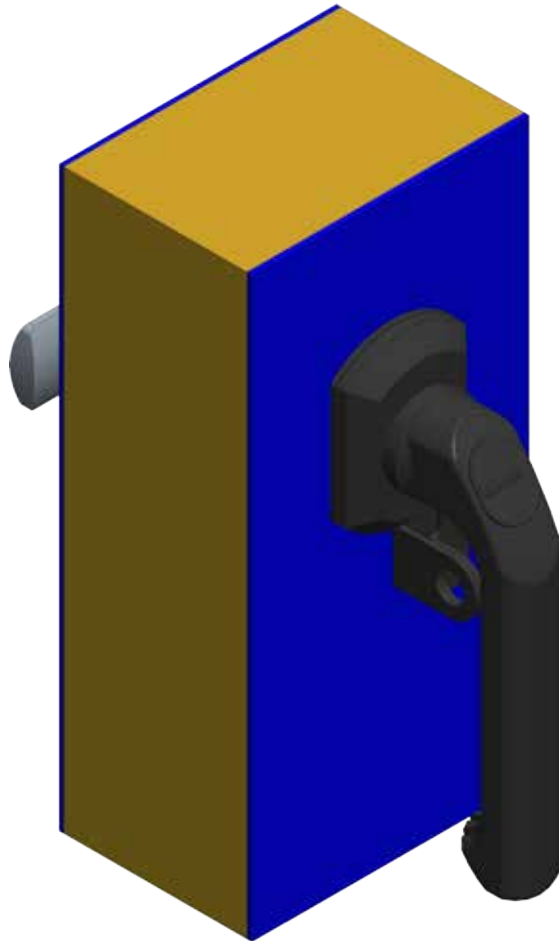
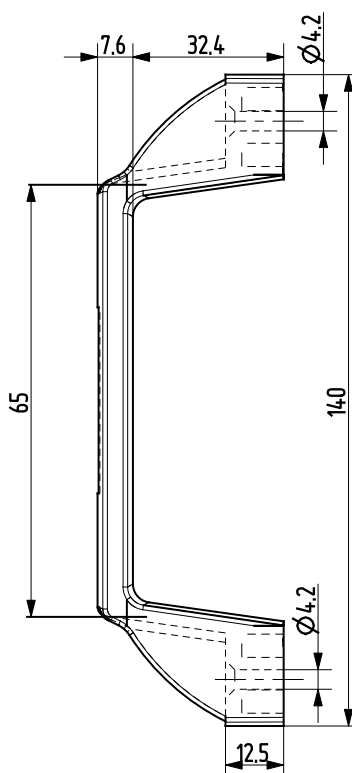
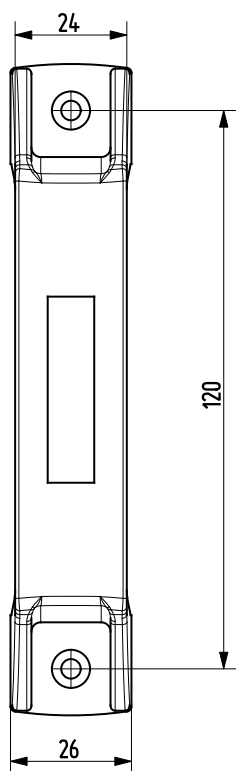


HANDLES

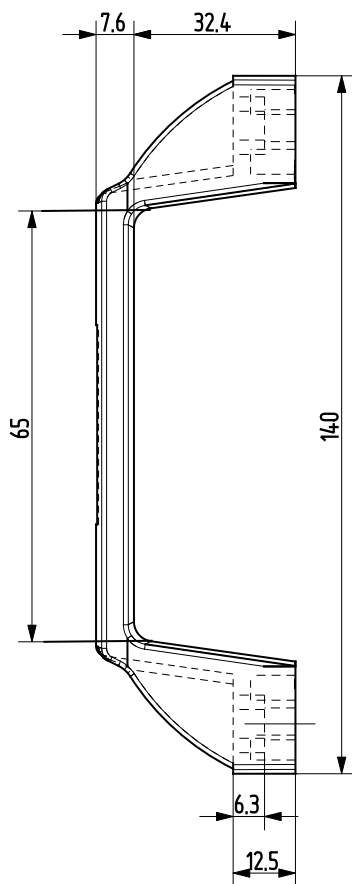
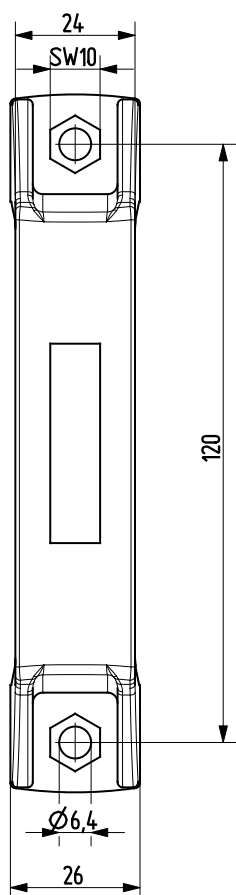


Handles

Note:
**available with
own logo on
request*

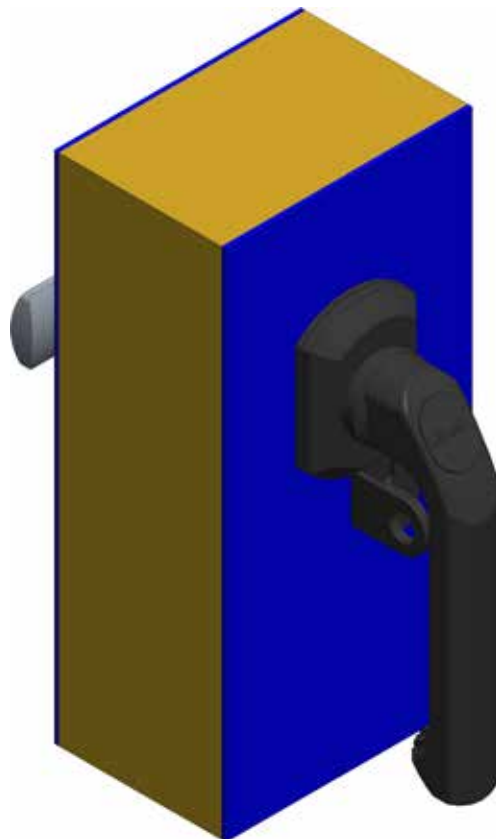


Part no.	Material
90PA-F002-00*	polyamide

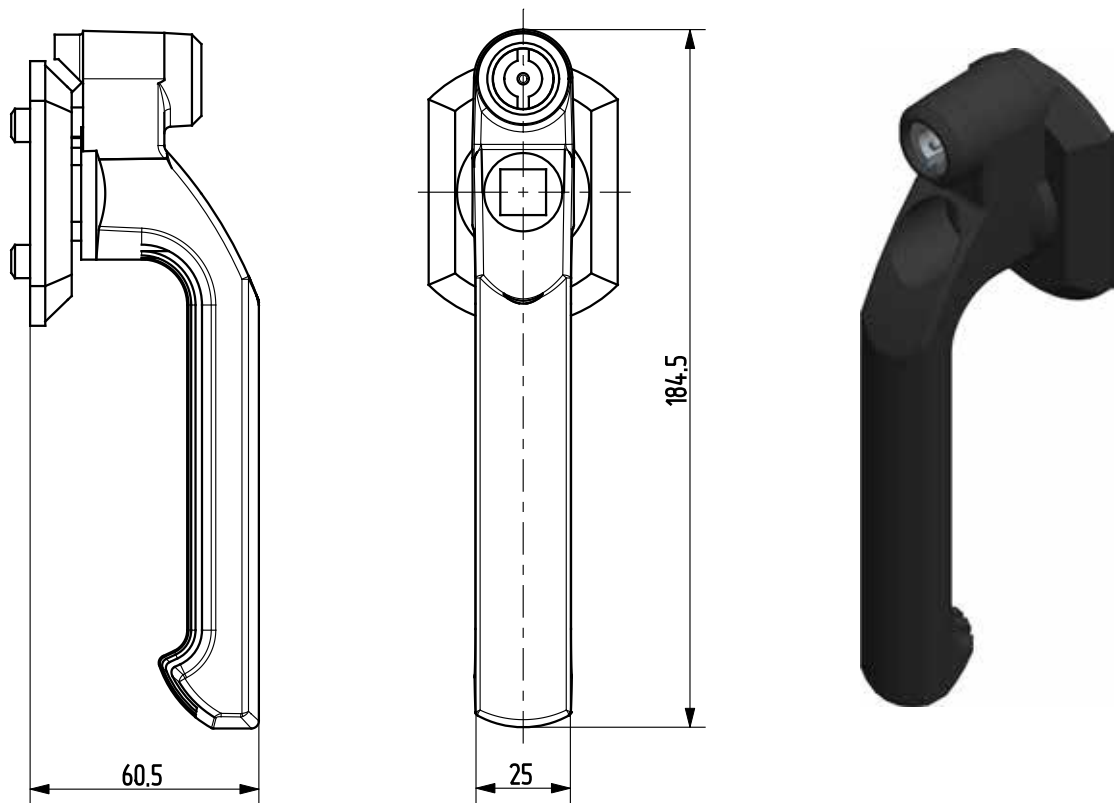


Part no.	Material
90PA-F003-00*	polyamide

Locks for climate
technology



Handle
with cylinder

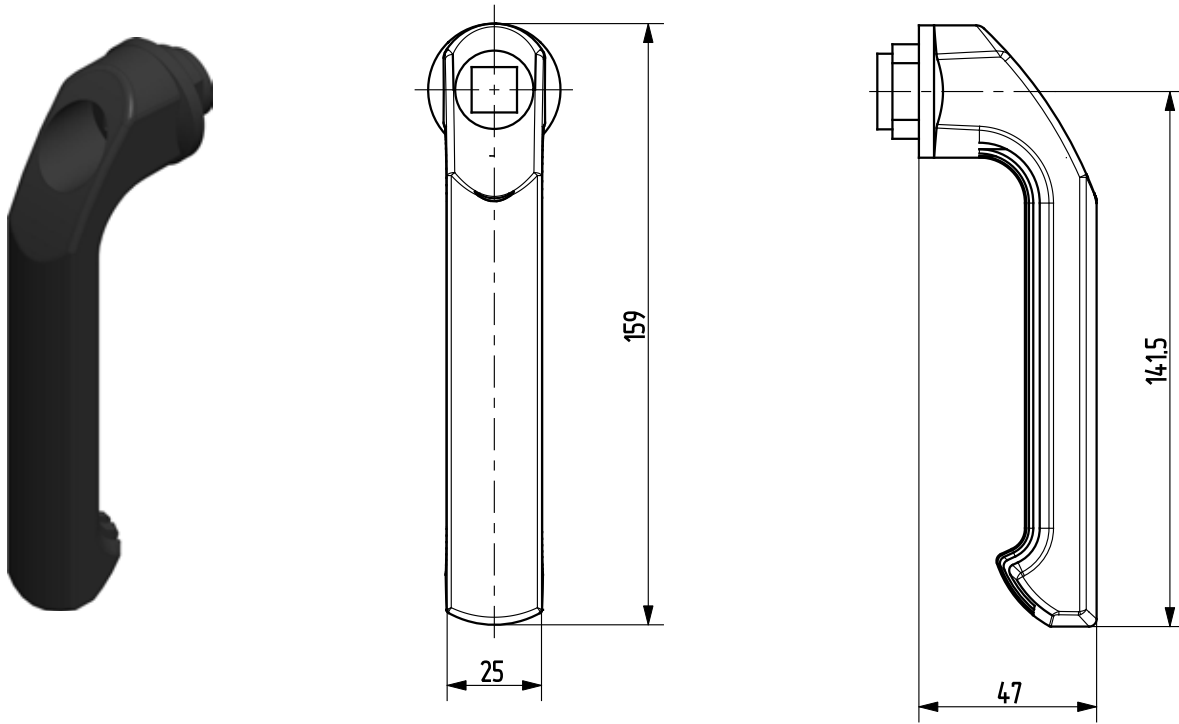


Part no.	Material	Version
90PA-KF014-00	PA	right
90PA-KF015-00	PA	left

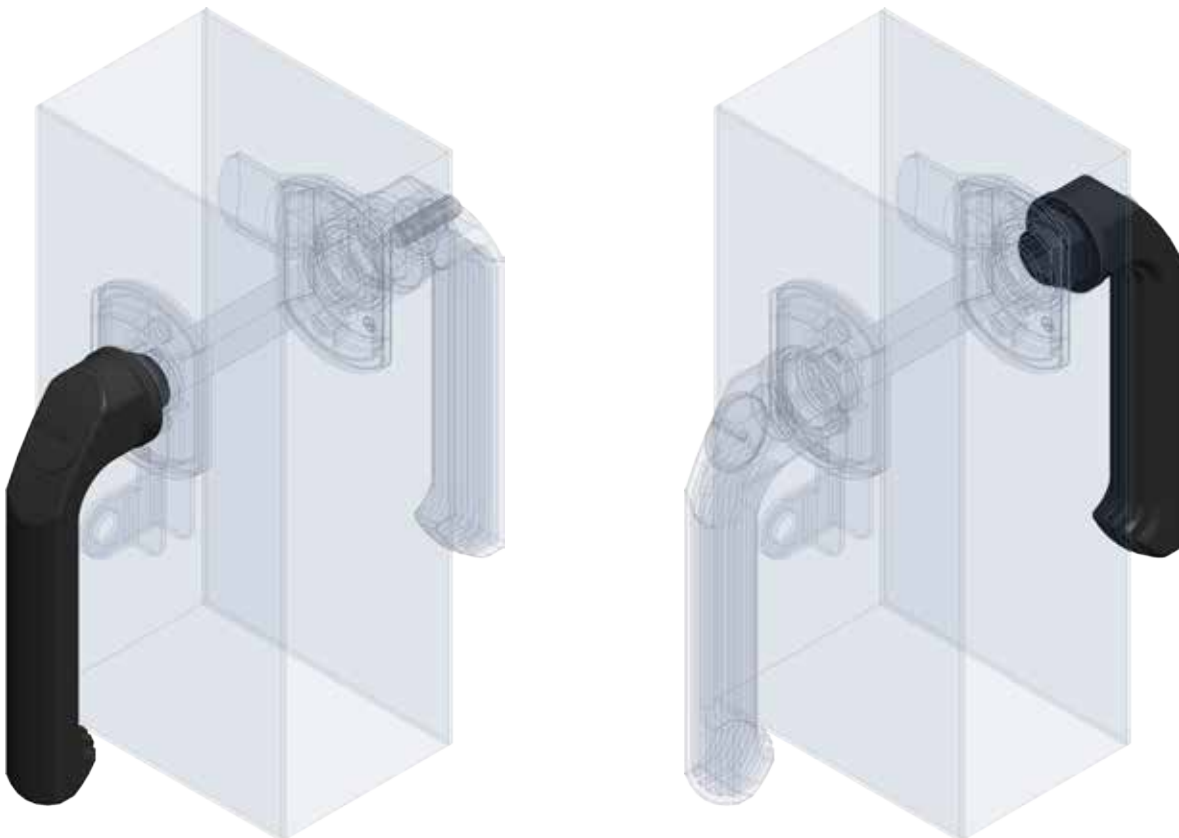


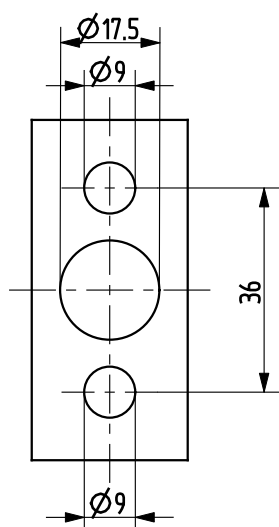
Note:
*for further
standard inserts
with L=28.5 see
chapter ELA-B

Inserts*	Zinc die	Surface	PA	Surface
3 mm double bit	90ZA-KB001-04	chrome plated	90PA-KB001-00	-
3 mm double bit	90ZA-KB001-06	black powder coated	-	-
5 mm double bit	90ZA-KB003-04	chrome plated	90PA-KB003-00	-
5 mm double bit	90ZA-KB003-06	black powder coated	-	-
7 mm triangular	90ZA-KB011-04	chrome plated	90PA-KB011-00	-
7 mm triangular	90ZA-KB011-0-	black powder coated	-	-
8 mm triangular	90ZA-KB012-04	chrome plated	90PA-KB012-00	-
8 mm triangular	90ZA-KB012-06	black powder coated	-	-
7 mm square	90ZA-KB023-04	chrome plated	90PA-KB023-00	-
7 mm square	90ZA-KB023-06	black powder coated	-	-
8 mm square	90ZA-KB008-04	chrome plated	90PA-KB008-00	-
8 mm square	90ZA-KB008-06	black powder coated	-	-

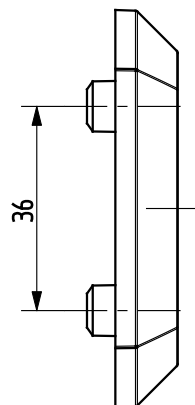


Part no.	Material
90PA-F016-00	PA



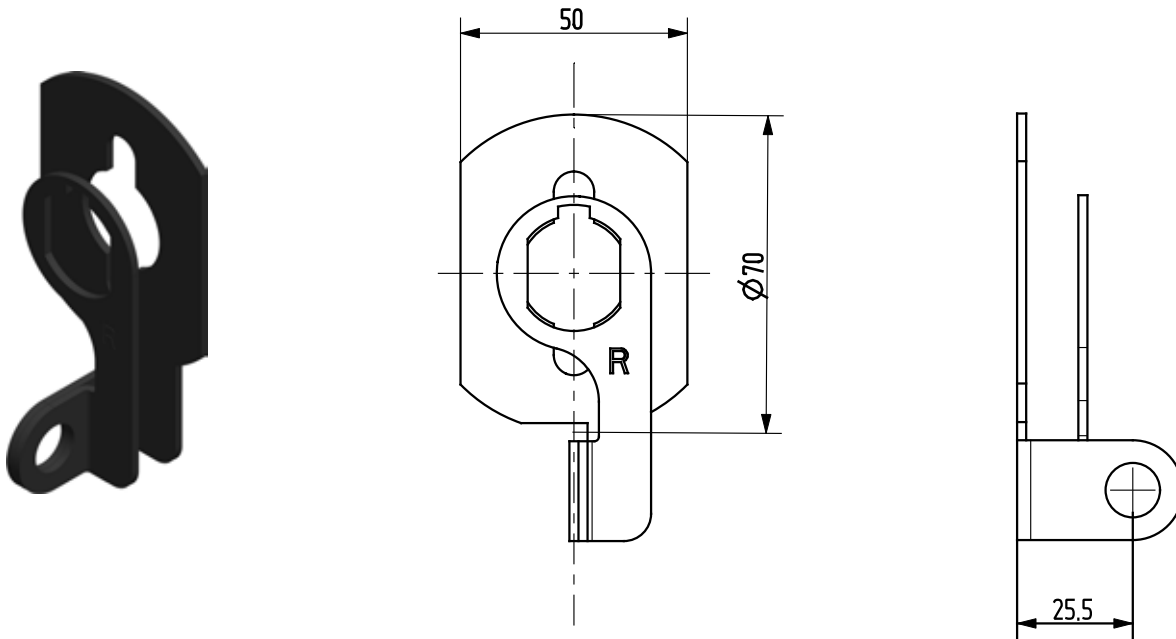


Cut out

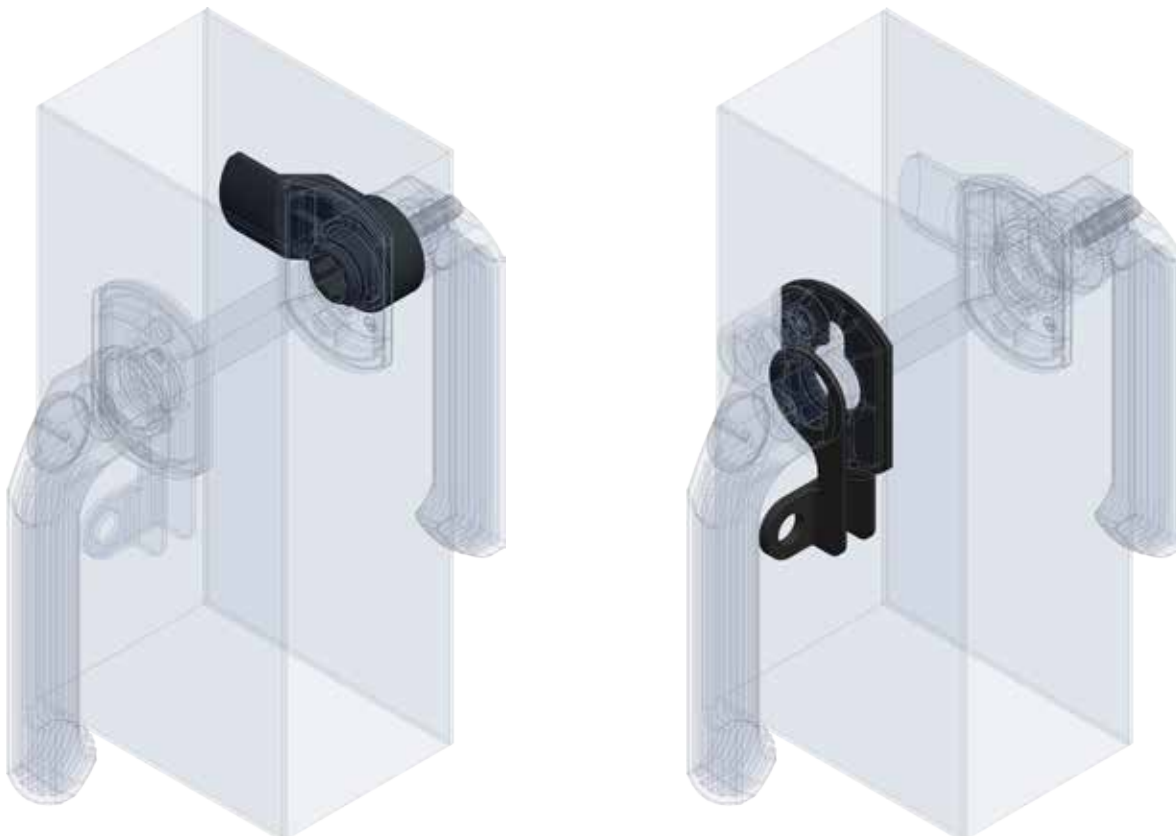


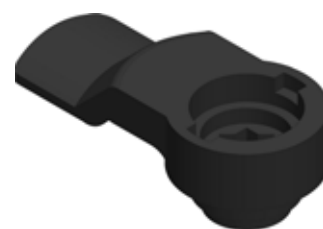
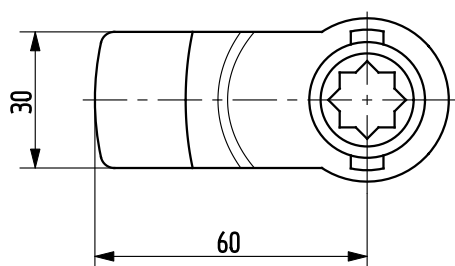
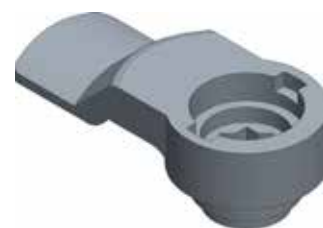
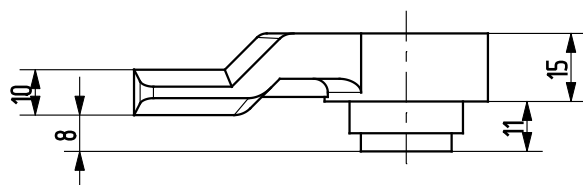
Part no.	Material
90PA-F017-00	PA



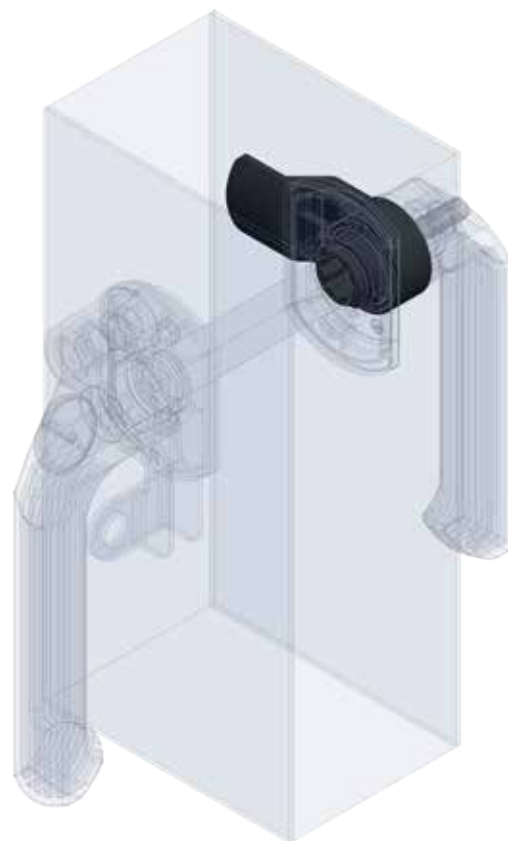


Part no.	Material	Surface	Version
90ST-KHT004-06	ST	black powder coated	right
90ST-KHT005-06	ST	black powder coated	left

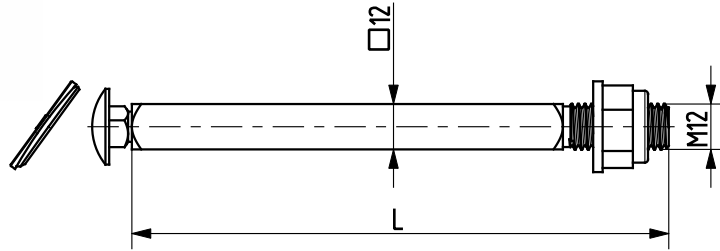




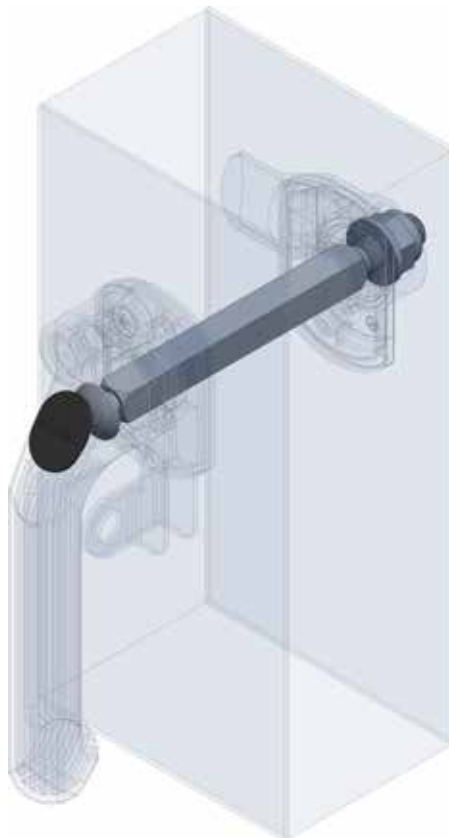
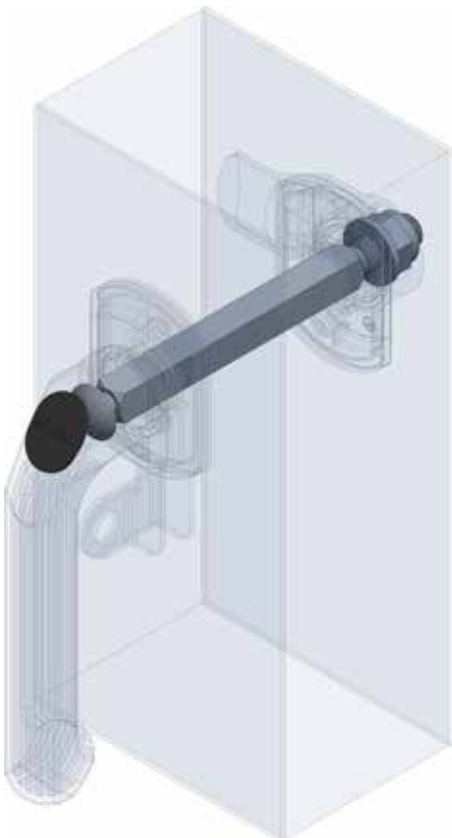
Part no.	Material	Surface
90ZA-NY002-00	zinc die	-
90PA-NY025-00	PA	-



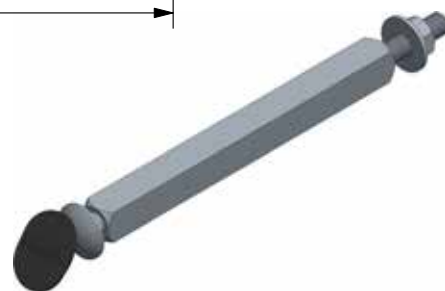
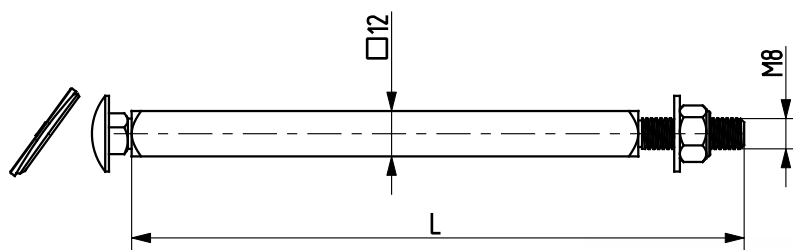
Outdoor version
with handling



Door thickness	Axle	Surface	L (mm)
20 mm	90ST-KHT006-01	zinc plated	82
30 mm	90ST-KHT007-01	zinc plated	92
40 mm	90ST-KHT008-01	zinc plated	102
50 mm	90ST-KHT009-01	zinc plated	112
60 mm	90ST-KHT010-01	zinc plated	122
80 mm	90ST-KHT011-01	zinc plated	142
100 mm	90ST-KHT012-01	zinc plated	162



Outdoor & indoor
version with handling



Assemble the indoor version
only with this axle!

Door thickness	Axle	Surface	L (mm)
20 mm	90ST-KHT013-01	zinc plated	102
30 mm	90ST-KHT014-01	zinc plated	112
40 mm	90ST-KHT015-01	zinc plated	122
50 mm	90ST-KHT016-01	zinc plated	132
60 mm	90ST-KHT017-01	zinc plated	142
80 mm	90ST-KHT018-01	zinc plated	162
100 mm	90ST-KHT019-01	zinc plated	182

