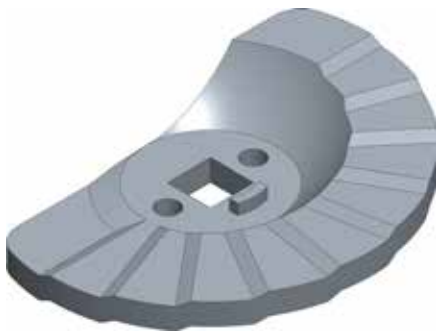
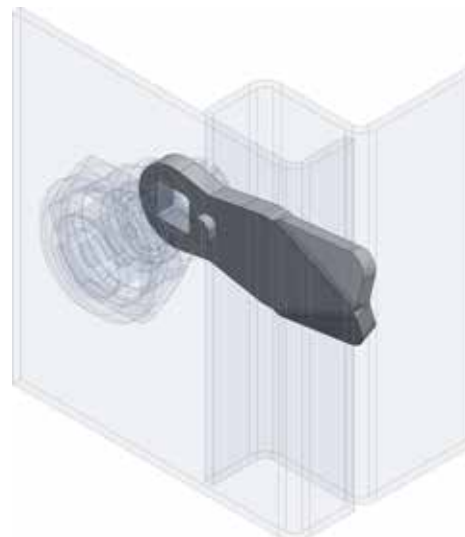
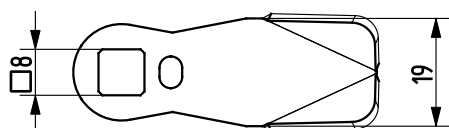
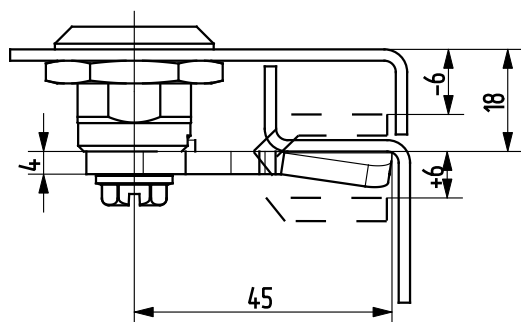
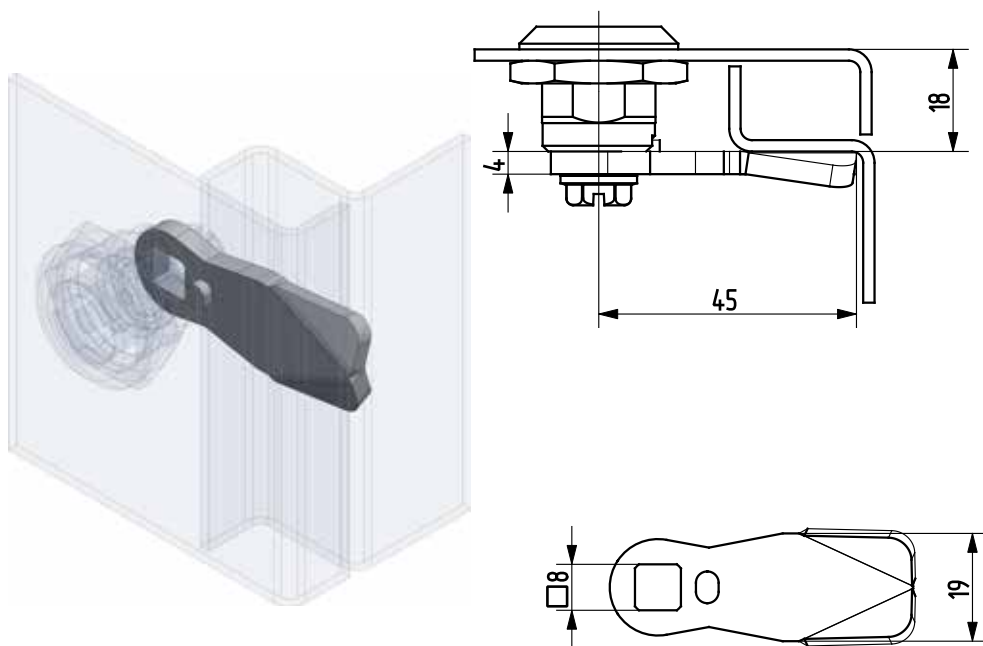


CAMS

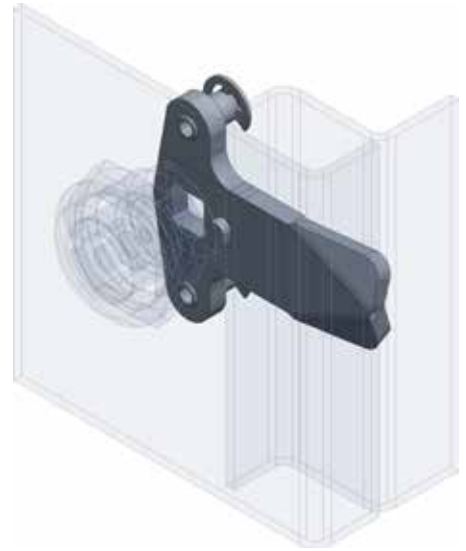
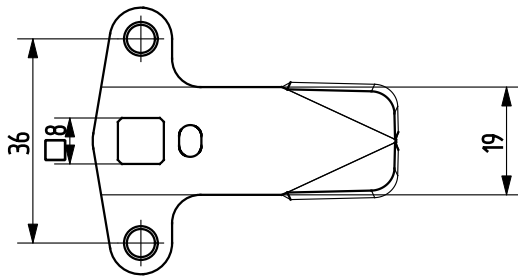
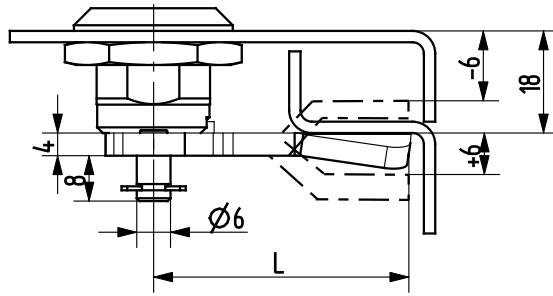




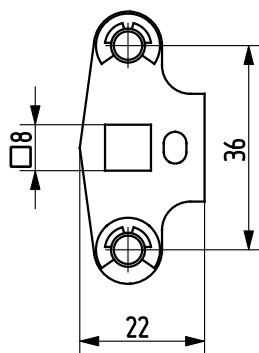
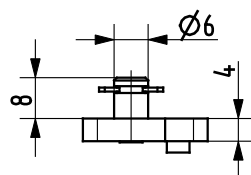
L=45 mm				
H (mm)	Stainless steel (1.4301)	Surface	Steel (ST)	Surface
-14	90KO-NY004-00	-	90ST-NY004-01	zinc plated
-12	90KO-NY006-00	-	90ST-NY006-01	zinc plated
-10	90KO-NY008-00	-	90ST-NY008-01	zinc plated
-8	90KO-NY010-00	-	90ST-NY010-01	zinc plated
-6	90KO-NY012-00	-	90ST-NY012-01	zinc plated
-5	90KO-NY013-00	-	90ST-NY013-01	zinc plated
-4	90KO-NY014-00	-	90ST-NY014-01	zinc plated
-2	90KO-NY016-00	-	90ST-NY016-01	zinc plated
0	90KO-NY018-00	-	90ST-NY018-01	zinc plated
+2	90KO-NY020-00	-	90ST-NY020-01	zinc plated
+4	90KO-NY022-00	-	90ST-NY022-01	zinc plated
+5	90KO-NY023-00	-	90ST-NY023-01	zinc plated
+6	90KO-NY024-00	-	90ST-NY024-01	zinc plated
+8	90KO-NY026-00	-	90ST-NY026-01	zinc plated
+10	90KO-NY028-00	-	90ST-NY028-01	zinc plated
+12	90KO-NY030-00	-	90ST-NY030-01	zinc plated
+14	90KO-NY032-00	-	90ST-NY032-01	zinc plated
+16	90KO-NY034-00	-	90ST-NY034-01	zinc plated
+18	90KO-NY036-00	-	90ST-NY036-01	zinc plated
+20	90KO-NY038-00	-	90ST-NY038-01	zinc plated
+22	90KO-NY040-00	-	90ST-NY040-01	zinc plated
+24	90KO-NY042-00	-	90ST-NY042-01	zinc plated
+26	90KO-NY044-00	-	90ST-NY044-01	zinc plated
+28	90KO-NY046-00	-	90ST-NY046-01	zinc plated
+29	90KO-NY047-00	-	90ST-NY047-01	zinc plated
+30	90KO-NY048-00	-	90ST-NY048-01	zinc plated
+32	90KO-NY050-00	-	90ST-NY050-01	zinc plated



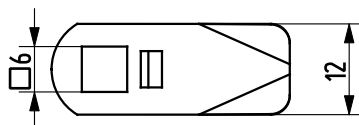
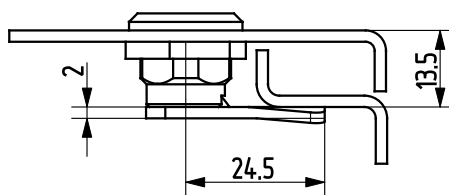
L=35 mm				
H (mm)	Stainless steel (1.4301)	Surface	Steel (ST)	Surface
0	90KO-NY057-00	-	90ST-NY002-01	zinc plated
+2	90KO-NY051-00	-	90ST-NY051-01	zinc plated
+4	90KO-NY052-00	-	90ST-NY052-01	zinc plated
+6	90KO-NY053-00	-	90ST-NY053-01	zinc plated
+8	90KO-NY054-00	-	90ST-NY054-01	zinc plated
+10	90KO-NY055-00	-	90ST-NY055-01	zinc plated
+12	90KO-NY056-00	-	90ST-NY056-01	zinc plated



L=45 mm				
H (mm)	Stainless steel (1.4301)	Surface	Steel (ST)	Surface
-14	-	-	90ST-KNY004-01	zinc plated
-12	-	-	90ST-KNY006-01	zinc plated
-10	-	-	90ST-KNY008-01	zinc plated
-8	-	-	90ST-KNY010-01	zinc plated
-6	-	-	90ST-KNY012-01	zinc plated
-5	-	-	90ST-KNY013-01	zinc plated
-4	-	-	90ST-KNY014-01	zinc plated
-2	-	-	90ST-KNY016-01	zinc plated
0	90KO-KNY018-00	-	90ST-KNY018-01	zinc plated
+2	-	-	90ST-KNY020-01	zinc plated
+4	90KO-KNY022-00	-	90ST-KNY022-01	zinc plated
+6	-	-	90ST-KNY024-01	zinc plated
+8	90KO-KNY026-00	-	90ST-KNY026-01	zinc plated
+10	-	-	90ST-KNY028-01	zinc plated
+12	-	-	90ST-KNY030-01	zinc plated
+14	-	-	90ST-KNY032-01	zinc plated
+16	-	-	90ST-KNY034-01	zinc plated
+18	-	-	90ST-KNY036-01	zinc plated
+20	-	-	90ST-KNY038-01	zinc plated
+22	-	-	90ST-KNY040-01	zinc plated
+24	-	-	90ST-KNY042-01	zinc plated
+26	-	-	90ST-KNY044-01	zinc plated
+28	-	-	90ST-KNY046-01	zinc plated
+30	-	-	90ST-KNY048-01	zinc plated
+32	-	-	90ST-KNY050-01	zinc plated

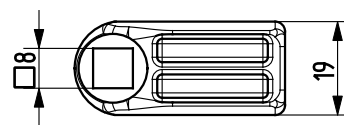
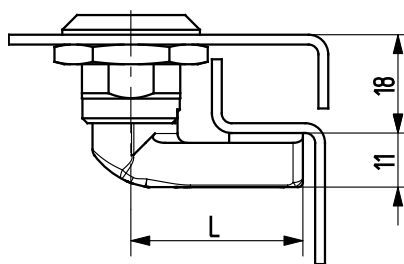


Part no.	Material	Surface
90ST-KNY051-01	ST	zinc plated

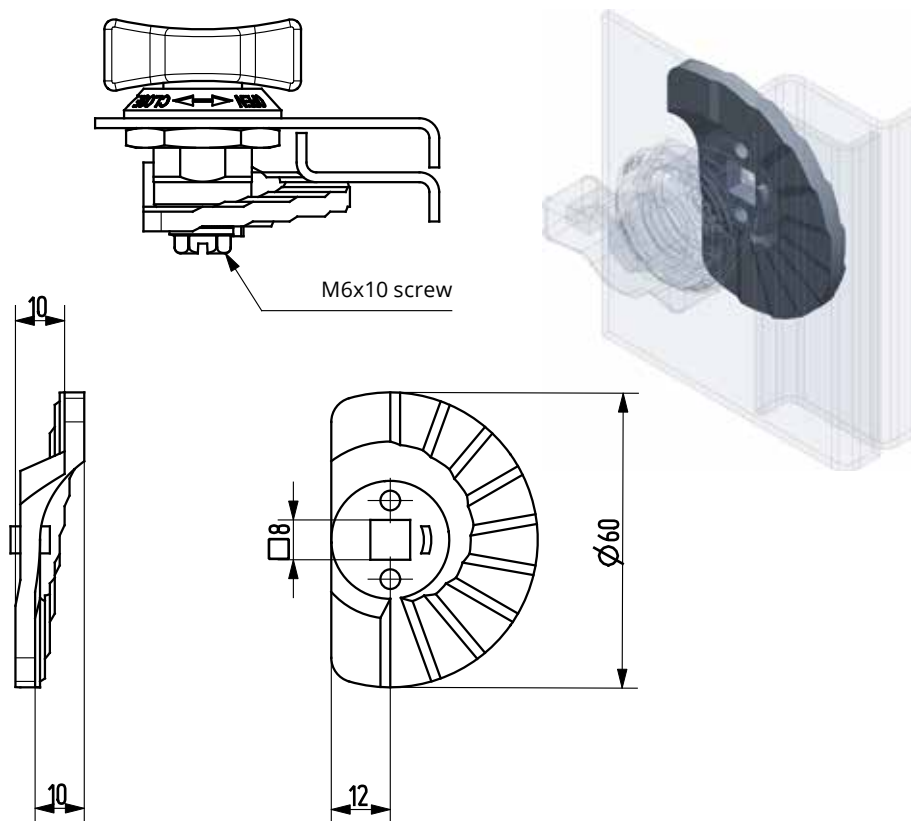


Part no.	Material	Surface
90KO-NY003-00	1.4301	-
90KO-NY058-00	1.4571	-
90ST-NY003-01	ST	zinc plated





L=35 mm			
H (mm)	Part no.	Material	Surface
0	90PA-NY018-00	polyamide	-
+2	90PA-NY020-00	polyamide	-
+6	90PA-NY024-00	polyamide	-



Part no.	Material	Surface
90ZA-NY001-00	zinc die	-