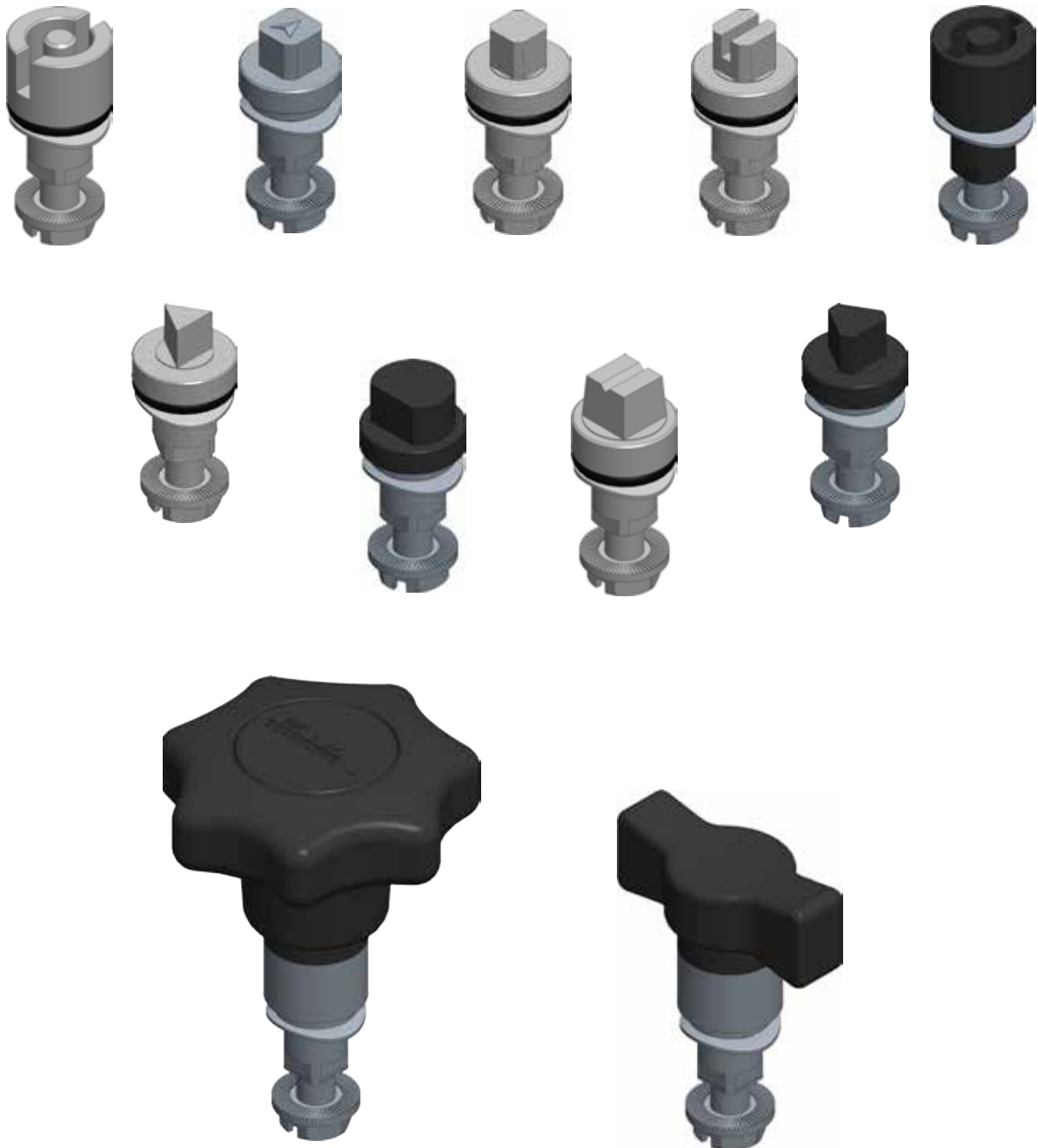
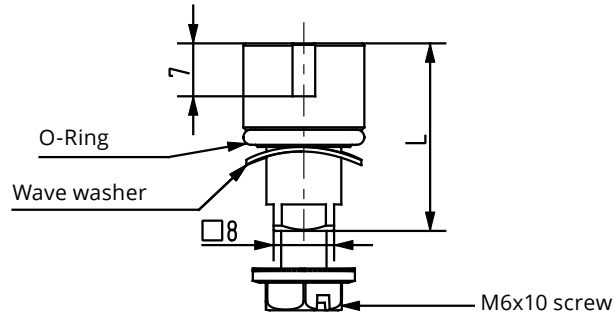
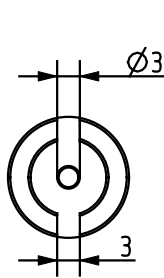
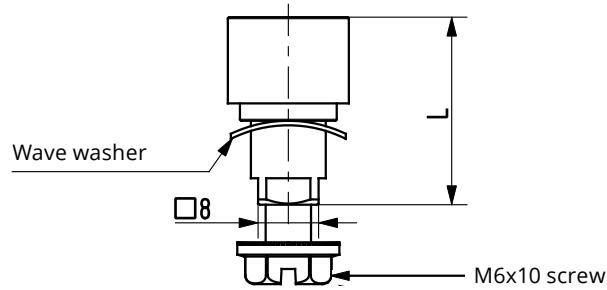
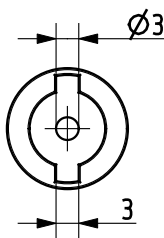


INSERTS

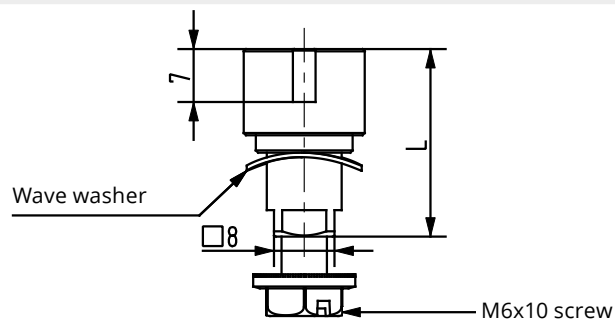
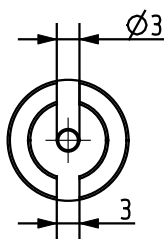




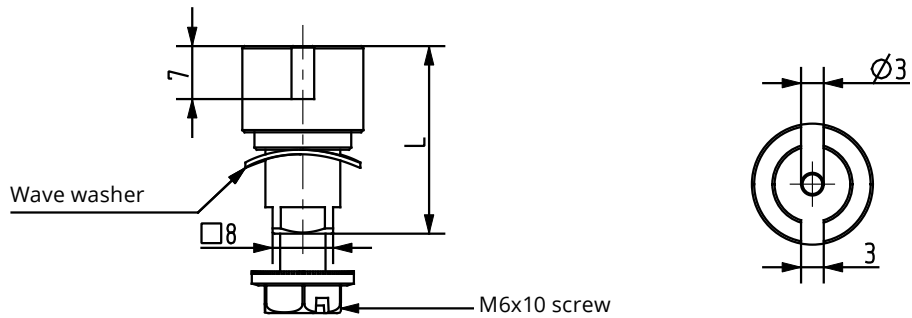
Part no.	L (mm)	Material	Surface	Housing mounting depth (H) mm	Corresponding key (Short version)	Corresponding key (Long version)
90KO-KB001-00	24.8	1.4305	-	18	90ZA-ZK008-06	90ZA-ZK011-06
90KO-KB009-00	24.8	1.4571	-	18	90ZA-ZK008-06	90ZA-ZK011-06
90KO-KB080-00	36.8	1.4305	-	30	90ZA-ZK008-06	90ZA-ZK011-06
90KO-KB081-00	36.8	1.4571	-	30	90ZA-ZK008-06	90ZA-ZK011-06
90KO-KB082-00	42.8	1.4305	-	36	90ZA-ZK008-06	90ZA-ZK011-06
90KO-KB083-00	42.8	1.4571	-	36	90ZA-ZK008-06	90ZA-ZK011-06
90KO-KB084-00	46.8	1.4305	-	40	90ZA-ZK008-06	90ZA-ZK011-06
90KO-KB085-00	46.8	1.4571	-	40	90ZA-ZK008-06	90ZA-ZK011-06
90KO-KB086-00	56.8	1.4305	-	50	90ZA-ZK008-06	90ZA-ZK011-06
90KO-KB087-00	56.8	1.4571	-	50	90ZA-ZK008-06	90ZA-ZK011-06
90KO-KB088-00	66.8	1.4305	-	60	90ZA-ZK008-06	90ZA-ZK011-06
90KO-KB089-00	66.8	1.4571	-	60	90ZA-ZK008-06	90ZA-ZK011-06



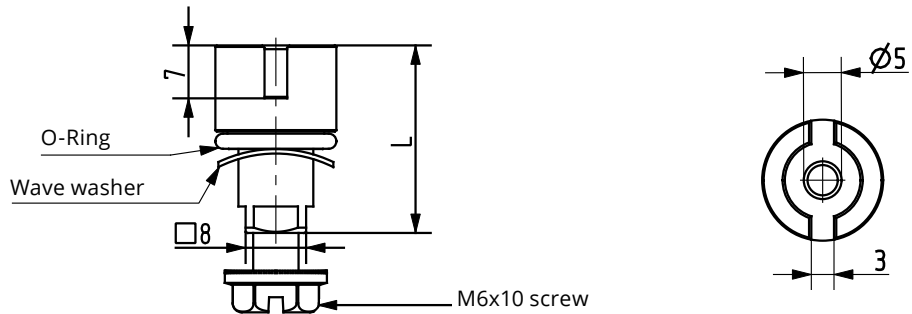
Part no.	L (mm)	Material	Surface	Housing mounting depth (H) mm	Corresponding key (Short version)	Corresponding key (Long version)
90PA-KB001-00	24.8	PA	-	18	90ZA-ZK008-06	90ZA-ZK011-06



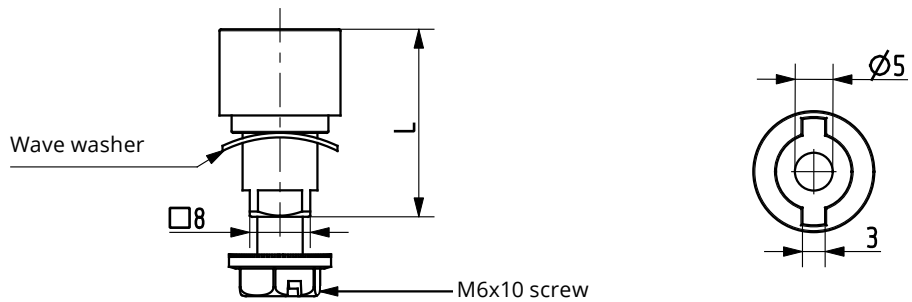
Part no.	L (mm)	Material	Surface	Housing mounting depth (H) mm	Corresponding key (Short version)	Corresponding key (Long version)
90ZA-KB001-04	24.8	zinc die	chrome plated	18	90ZA-ZK008-06	90ZA-ZK011-06



Part no.	L (mm)	Material	Surface	Housing mounting depth (H) mm	Corresponding key (Short version)	Corresponding key (Long version)
90ZA-KB001-06	24.8	zinc die	black powder coated	18	90ZA-ZK008-06	90ZA-ZK011-06

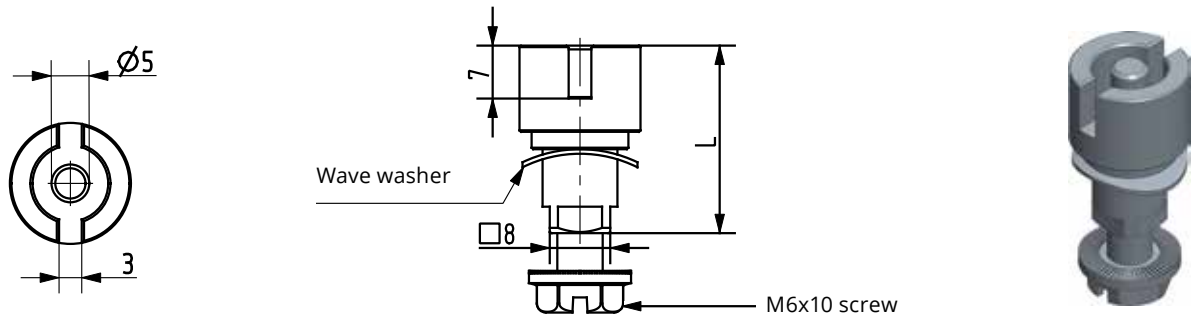


Part no.	L (mm)	Material	Surface	Housing mounting depth (H) mm	Corresponding key (Short version)	Corresponding key (Long version)
90KO-KB002-00	24.8	1.4305	-	18	90ZA-ZK009-06	90ZA-ZK012-06
90KO-KB003-00	24.8	1.4571	-	18	90ZA-ZK009-06	90ZA-ZK012-06
90KO-KB090-00	36.8	1.4305	-	30	90ZA-ZK009-06	90ZA-ZK012-06
90KO-KB091-00	36.8	1.4571	-	30	90ZA-ZK009-06	90ZA-ZK012-06
90KO-KB092-00	42.8	1.4305	-	36	90ZA-ZK009-06	90ZA-ZK012-06
90KO-KB093-00	42.8	1.4571	-	36	90ZA-ZK009-06	90ZA-ZK012-06
90KO-KB094-00	46.8	1.4305	-	40	90ZA-ZK009-06	90ZA-ZK012-06
90KO-KB095-00	46.8	1.4571	-	40	90ZA-ZK009-06	90ZA-ZK012-06
90KO-KB096-00	56.8	1.4305	-	50	90ZA-ZK009-06	90ZA-ZK012-06
90KO-KB097-00	56.8	1.4571	-	50	90ZA-ZK009-06	90ZA-ZK012-06
90KO-KB098-00	66.8	1.4305	-	60	90ZA-ZK009-06	90ZA-ZK012-06
90KO-KB099-00	66.8	1.4571	-	60	90ZA-ZK009-06	90ZA-ZK012-06

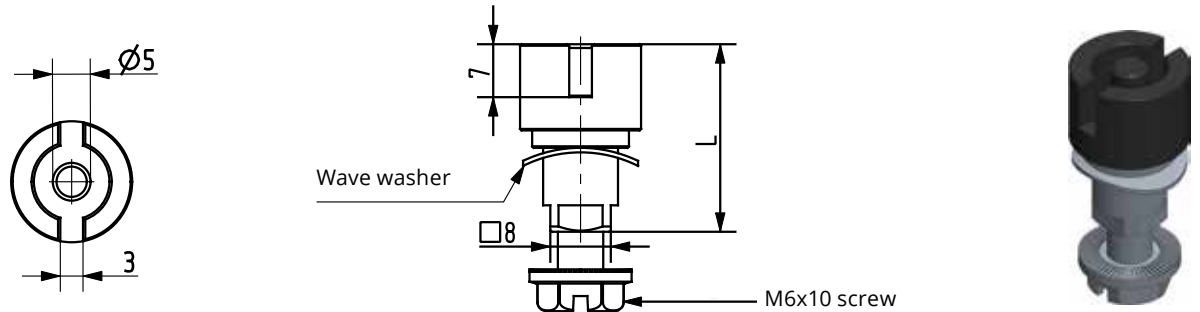


Part no.	L (mm)	Material	Surface	Housing mounting depth (H) mm	Corresponding key (Short version)	Corresponding key (Long version)
90PA-KB003-00	24.8	PA	-	18	90ZA-ZK009-06	90ZA-ZK012-06

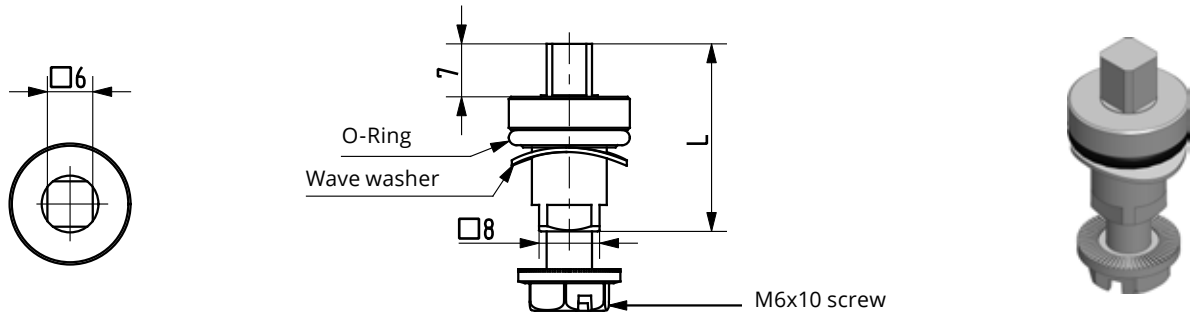




Part no.	L (mm)	Material	Surface	Housing mounting depth (H) mm	Corresponding key (Short version)	Corresponding key (Long version)
90ZA-KB003-04	24.8	zinc die	chrome plated	18	90ZA-ZK009-06	90ZA-ZK012-06

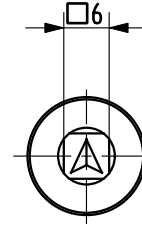
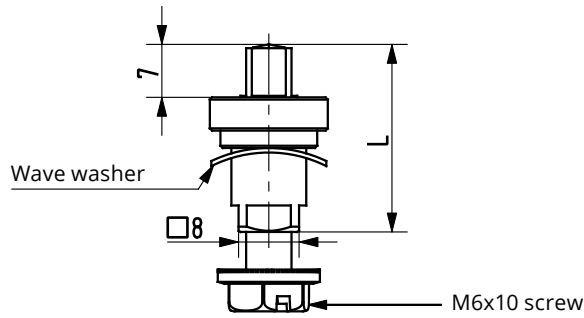


Part no.	L (mm)	Material	Surface	Housing mounting depth (H) mm	Corresponding key (Short version)	Corresponding key (Long version)
90ZA-KB003-06	24.8	zinc die	black powder coated	18	90ZA-ZK009-06	90ZA-ZK012-06

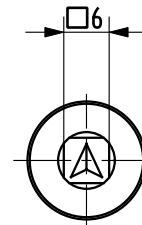
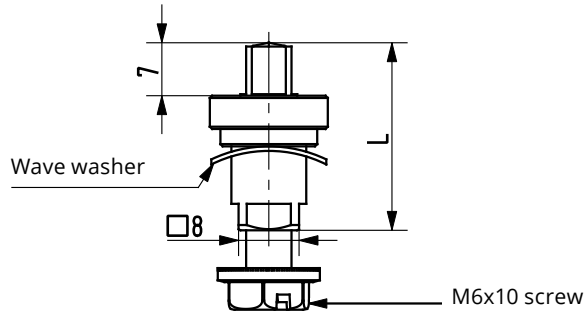


Part no.	L (mm)	Material	Surface	Housing mounting depth (H) mm	Corresponding key
90KO-KB004-00	24.8	1.4305	-	18	90ZA-ZK001-06
90KO-KB063-00	24.8	1.4571	-	18	90ZA-ZK001-06
90KO-KB120-00	36.8	1.4305	-	30	90ZA-ZK001-06
90KO-KB121-00	36.8	1.4571	-	30	90ZA-ZK001-06
90KO-KB122-00	42.8	1.4305	-	36	90ZA-ZK001-06
90KO-KB123-00	42.8	1.4571	-	36	90ZA-ZK001-06
90KO-KB124-00	46.8	1.4305	-	40	90ZA-ZK001-06
90KO-KB125-00	46.8	1.4571	-	40	90ZA-ZK001-06
90KO-KB126-00	56.8	1.4305	-	50	90ZA-ZK001-06
90KO-KB127-00	56.8	1.4571	-	50	90ZA-ZK001-06
90KO-KB128-00	66.8	1.4305	-	60	90ZA-ZK001-06
90KO-KB129-00	66.8	1.4571	-	60	90ZA-ZK001-06

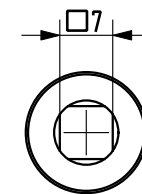
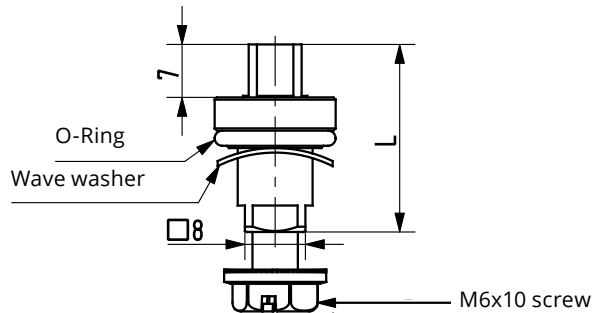




Part no.	L (mm)	Material	Surface	Housing mounting depth (H) mm	Corresponding key
90ZA-KB024-04	24.8	zinc die	chrome plated	18	90ZA-ZK001-06

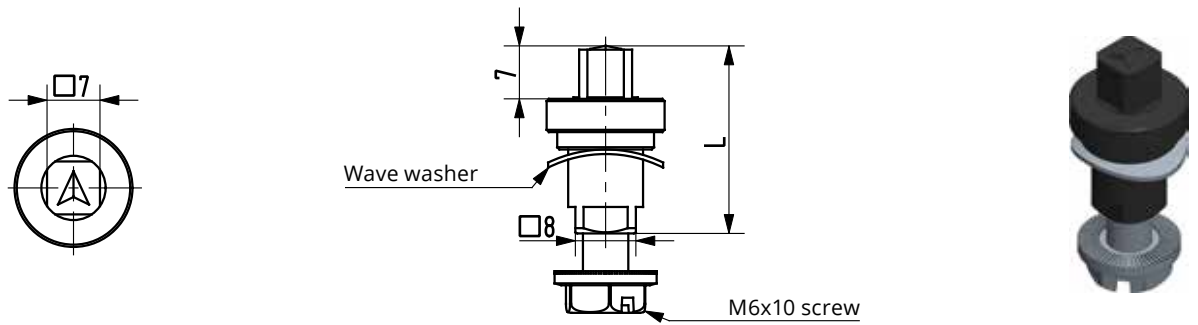


Part no.	L (mm)	Material	Surface	Housing mounting depth (H) mm	Corresponding key
90ZA-KB024-06	24.8	zinc die	black powder coated	18	90ZA-ZK001-06

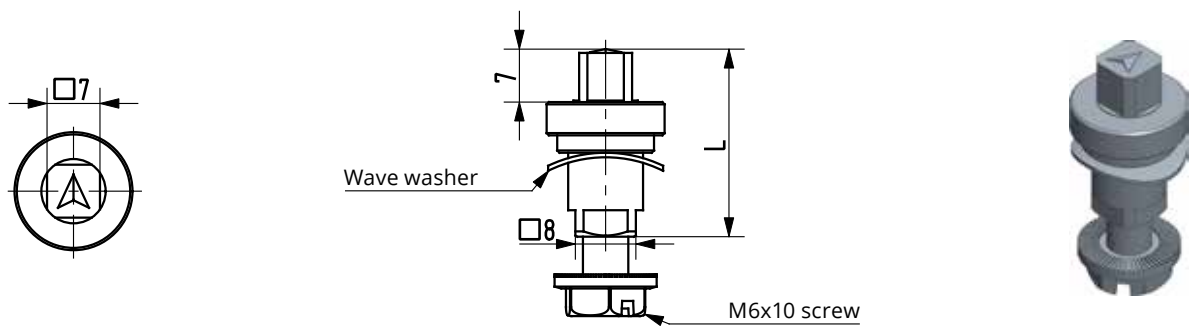


Part no.	L (mm)	Material	Surface	Housing mounting depth (H) mm	Corresponding key
90KO-KB005-00	24.8	1.4305	-	18	90ZA-ZK002-06
90KO-KB064-00	24.8	1.4571	-	18	90ZA-ZK002-06
90KO-KB110-00	36.8	1.4305	-	30	90ZA-ZK002-06
90KO-KB111-00	36.8	1.4571	-	30	90ZA-ZK002-06
90KO-KB112-00	42.8	1.4305	-	36	90ZA-ZK002-06
90KO-KB113-00	42.8	1.4571	-	36	90ZA-ZK002-06
90KO-KB114-00	46.8	1.4305	-	40	90ZA-ZK002-06
90KO-KB115-00	46.8	1.4571	-	40	90ZA-ZK002-06
90KO-KB116-00	56.8	1.4305	-	50	90ZA-ZK002-06
90KO-KB117-00	56.8	1.4571	-	50	90ZA-ZK002-06
90KO-KB118-00	66.8	1.4305	-	60	90ZA-ZK002-06
90KO-KB119-00	66.8	1.4571	-	60	90ZA-ZK002-06

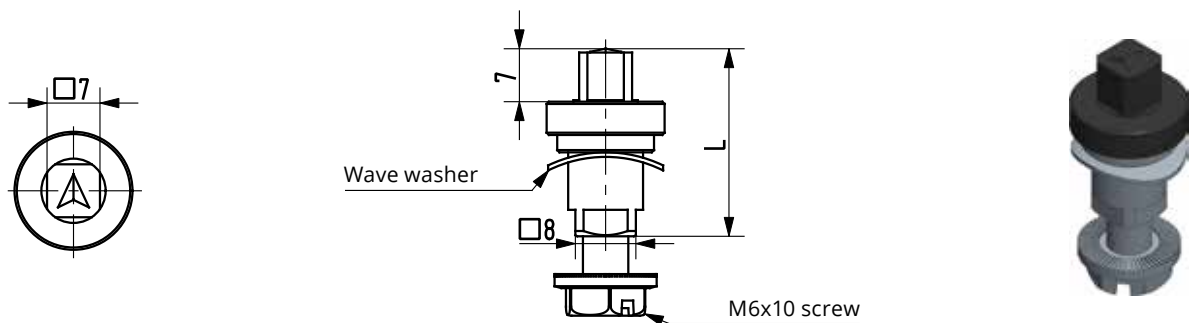




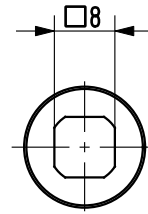
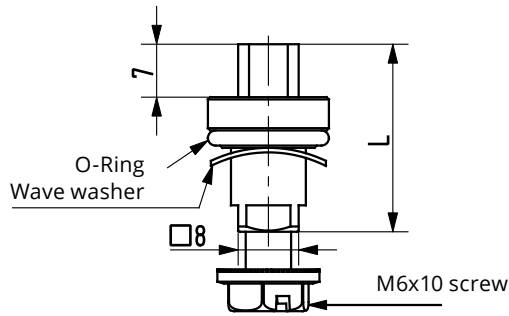
Part no.	L (mm)	Material	Surface	Housing mounting depth (H) mm	Corresponding key
90PA-KB023-00	24.8	PA	-	18	90ZA-ZK002-06



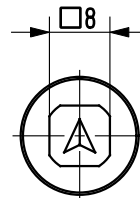
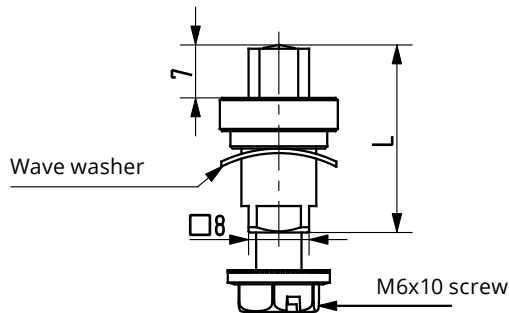
Part no.	L (mm)	Material	Surface	Housing mounting depth (H) mm	Corresponding key
90ZA-KB023-04	24.8	zinc die	chrome plated	18	90ZA-ZK002-06



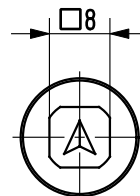
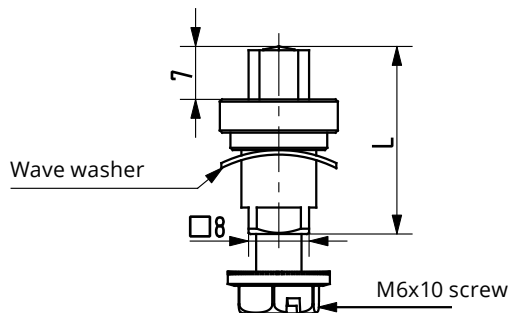
Part no.	L (mm)	Material	Surface	Housing mounting depth (H) mm	Corresponding key
90ZA-KB023-06	24.8	zinc die	black powder coated	18	90ZA-ZK002-06



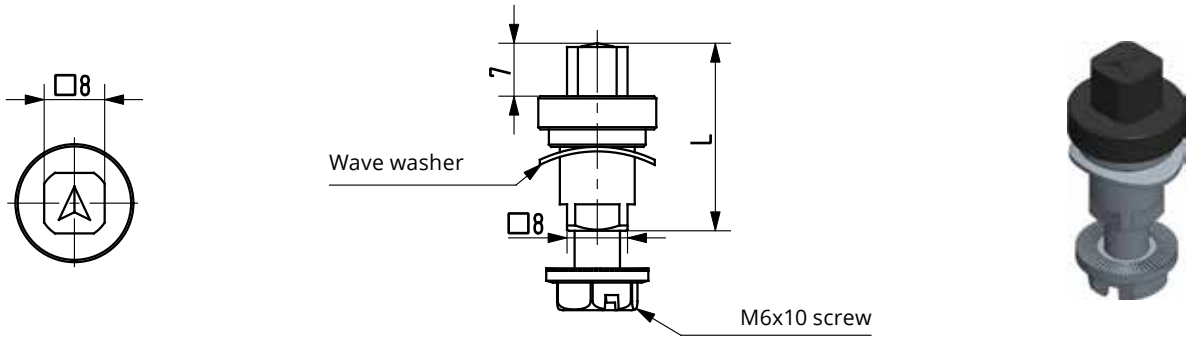
Part no.	L (mm)	Material	Surface	Housing mounting depth (H) mm	Corresponding key
90KO-KB006-00	24.8	1.4305	-	18	90ZA-ZK003-06
90KO-KB007-00	24.8	1.4571	-	18	90ZA-ZK003-06
90KO-KB100-00	36.8	1.4305	-	30	90ZA-ZK003-06
90KO-KB101-00	36.8	1.4571	-	30	90ZA-ZK003-06
90KO-KB102-00	42.8	1.4305	-	36	90ZA-ZK003-06
90KO-KB103-00	42.8	1.4571	-	36	90ZA-ZK003-06
90KO-KB104-00	46.8	1.4305	-	40	90ZA-ZK003-06
90KO-KB105-00	46.8	1.4571	-	40	90ZA-ZK003-06
90KO-KB106-00	56.8	1.4305	-	50	90ZA-ZK003-06
90KO-KB107-00	56.8	1.4571	-	50	90ZA-ZK003-06
90KO-KB108-00	66.8	1.4305	-	60	90ZA-ZK003-06
90KO-KB109-00	66.8	1.4571	-	60	90ZA-ZK003-06



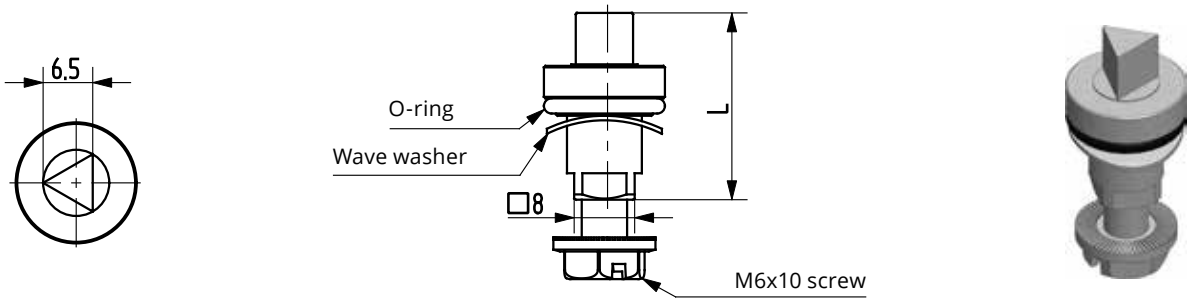
Part no.	L (mm)	Material	Surface	Housing mounting depth (H) mm	Corresponding key
90PA-KB008-00	24.8	PA	-	18	90ZA-ZK003-06



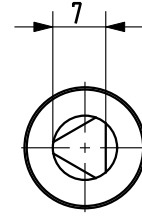
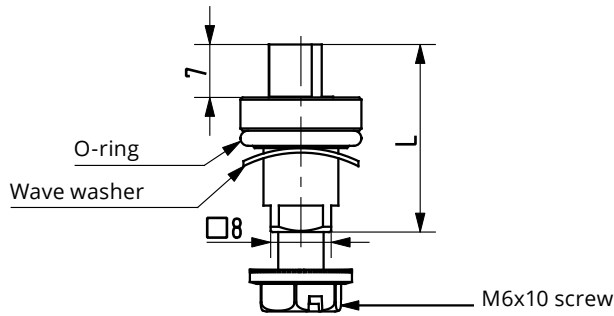
Part no.	L (mm)	Material	Surface	Housing mounting depth (H) mm	Corresponding key
90ZA-KB008-04	24.8	zinc die	chrome plated	18	90ZA-ZK003-06



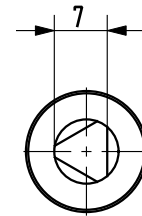
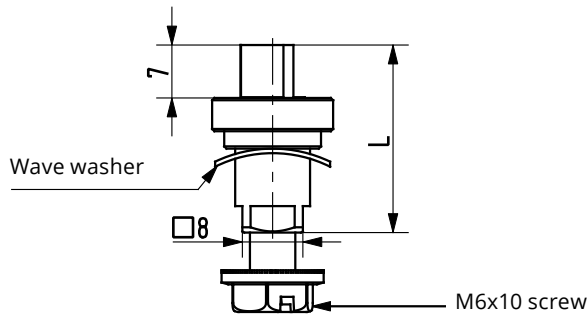
Part no.	L (mm)	Material	Surface	Housing mounting depth (H) mm	Corresponding key
90ZA-KB008-06	24.8	zinc die	black powder coated	18	90ZA-ZK003-06



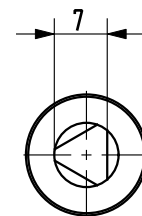
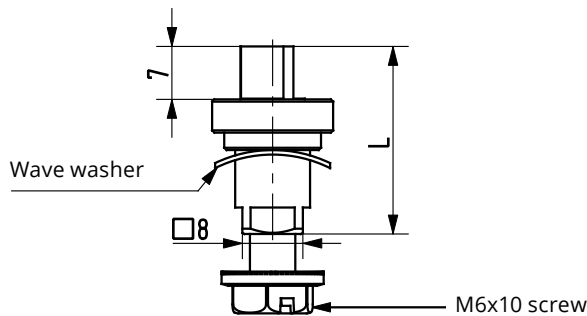
Part no.	L (mm)	Material	Surface	Housing mounting depth (H) mm	Corresponding key
90KO-KB236-00	24.8	1.4305	-	18	90ZA-ZK005-06
90KO-KB237-00	24.8	1.4571	-	18	90ZA-ZK005-06
90KO-KB150-00	36.8	1.4305	-	30	90ZA-ZK005-06
90KO-KB151-00	36.8	1.4571	-	30	90ZA-ZK005-06
90KO-KB152-00	42.8	1.4305	-	36	90ZA-ZK005-06
90KO-KB153-00	42.8	1.4571	-	36	90ZA-ZK005-06
90KO-KB154-00	46.8	1.4305	-	40	90ZA-ZK005-06
90KO-KB155-00	46.8	1.4571	-	40	90ZA-ZK005-06
90KO-KB156-00	56.8	1.4305	-	50	90ZA-ZK005-06
90KO-KB157-00	56.8	1.4571	-	50	90ZA-ZK005-06
90KO-KB158-00	66.8	1.4305	-	60	90ZA-ZK005-06
90KO-KB159-00	66.8	1.4571	-	60	90ZA-ZK005-06



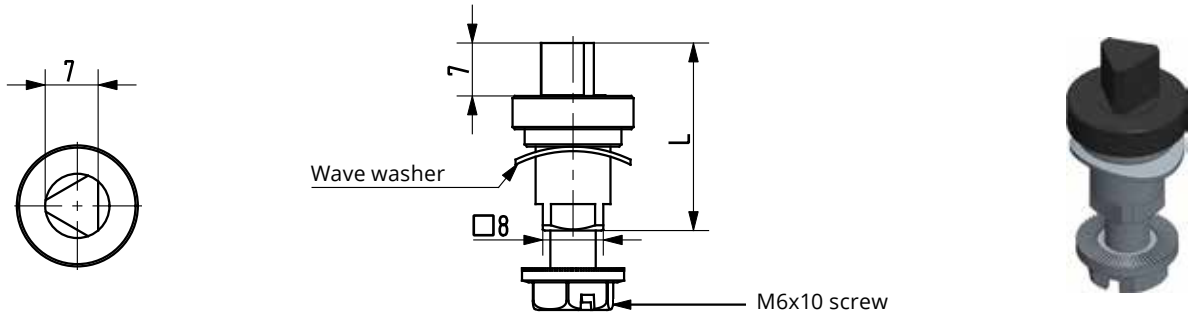
Part no.	L (mm)	Material	Surface	Housing mounting depth (H) mm	Corresponding key
90KO-KB011-00	24.8	1.4305	-	18	90ZA-ZK004-06
90KO-KB031-00	24.8	1.4571	-	18	90ZA-ZK004-06
90KO-KB140-00	36.8	1.4305	-	30	90ZA-ZK004-06
90KO-KB141-00	36.8	1.4571	-	30	90ZA-ZK004-06
90KO-KB142-00	42.8	1.4305	-	36	90ZA-ZK004-06
90KO-KB143-00	42.8	1.4571	-	36	90ZA-ZK004-06
90KO-KB144-00	46.8	1.4305	-	40	90ZA-ZK004-06
90KO-KB145-00	46.8	1.4571	-	40	90ZA-ZK004-06
90KO-KB146-00	56.8	1.4305	-	50	90ZA-ZK004-06
90KO-KB147-00	56.8	1.4571	-	50	90ZA-ZK004-06
90KO-KB148-00	66.8	1.4305	-	60	90ZA-ZK004-06
90KO-KB149-00	66.8	1.4571	-	60	90ZA-ZK004-06



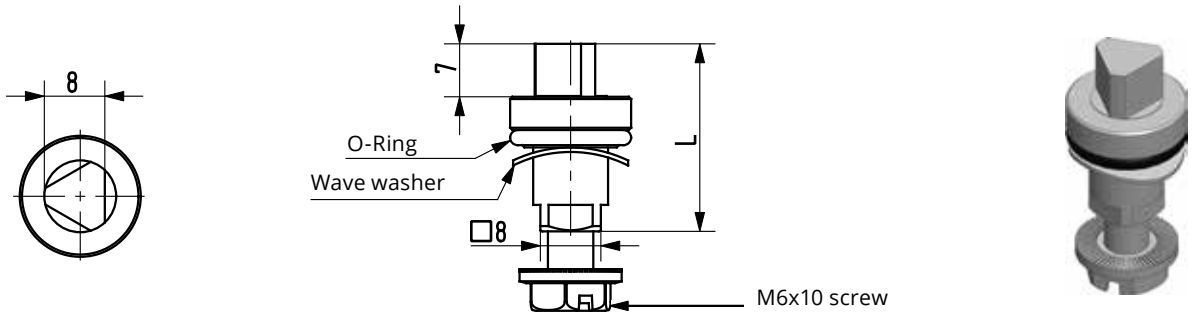
Part no.	L (mm)	Material	Surface	Housing mounting depth (H) mm	Corresponding key
90PA-KB011-00	24.8	PA	-	18	90ZA-ZK004-06



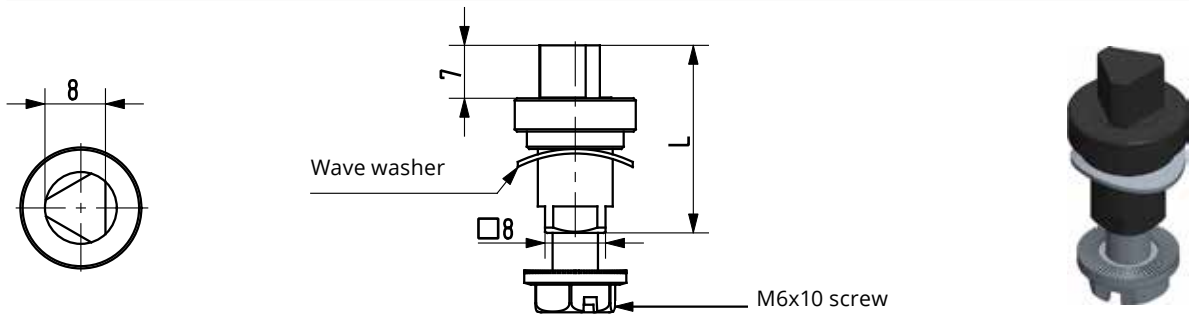
Part no.	L (mm)	Material	Surface	Housing mounting depth (H) mm	Corresponding key
90ZA-KB011-04	24.8	zinc die	chrome plated	18	90ZA-ZK004-06



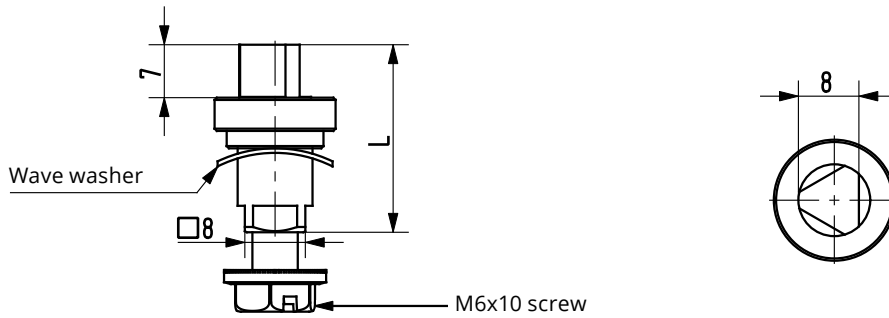
Part no.	L (mm)	Material	Surface	Housing mounting depth (H) mm	Corresponding key
90ZA-KB011-06	24.8	zinc die	black powder coated	18	90ZA-ZK004-06



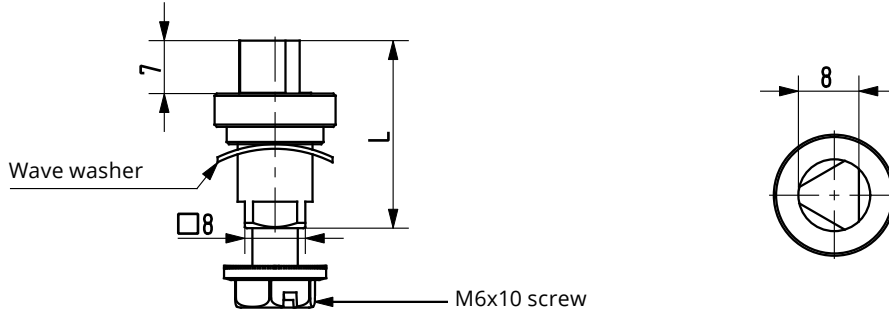
Part no.	L (mm)	Material	Surface	Housing mounting depth (H) mm	Corresponding key
90KO-KB012-00	24.8	1.4305	-	18	90ZA-ZK006-06
90KO-KB065-00	24.8	1.4571	-	18	90ZA-ZK006-06
90KO-KB160-00	36.8	1.4305	-	30	90ZA-ZK006-06
90KO-KB161-00	36.8	1.4571	-	30	90ZA-ZK006-06
90KO-KB162-00	42.8	1.4305	-	36	90ZA-ZK006-06
90KO-KB163-00	42.8	1.4571	-	36	90ZA-ZK006-06
90KO-KB164-00	46.8	1.4305	-	40	90ZA-ZK006-06
90KO-KB165-00	46.8	1.4571	-	40	90ZA-ZK006-06
90KO-KB166-00	56.8	1.4305	-	50	90ZA-ZK006-06
90KO-KB167-00	56.8	1.4571	-	50	90ZA-ZK006-06
90KO-KB168-00	66.8	1.4305	-	60	90ZA-ZK006-06
90KO-KB169-00	66.8	1.4571	-	60	90ZA-ZK006-06



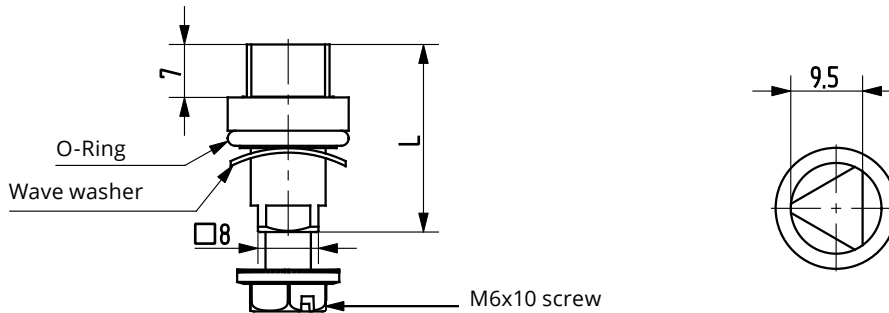
Part no.	L (mm)	Material	Surface	Housing mounting depth (H) mm	Corresponding key
90PA-KB012-00	24.8	PA	-	18	90ZA-ZK006-06



Part no.	L (mm)	Material	Surface	Housing mounting depth (H) mm	Corresponding key
90ZA-KB012-04	24.8	zinc die	chrome plated	18	90ZA-ZK006-06

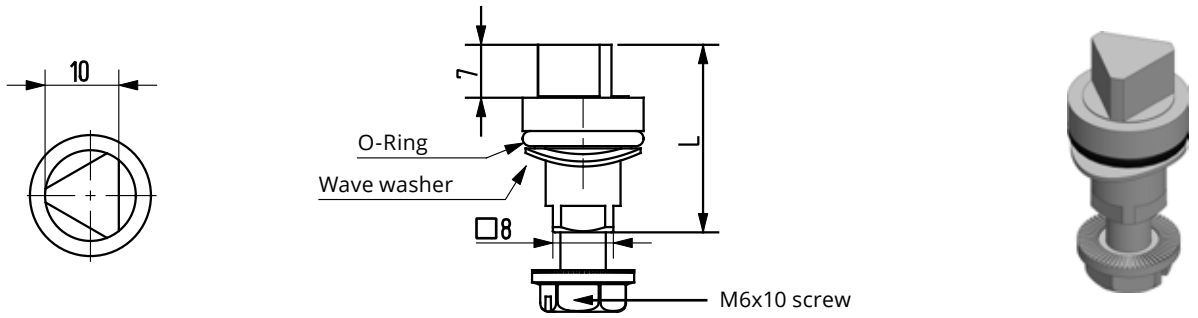


Part no.	L (mm)	Material	Surface	Housing mounting depth (H) mm	Corresponding key
90ZA-KB012-06	24.8	zinc die	black powder coated	18	90ZA-ZK006-06

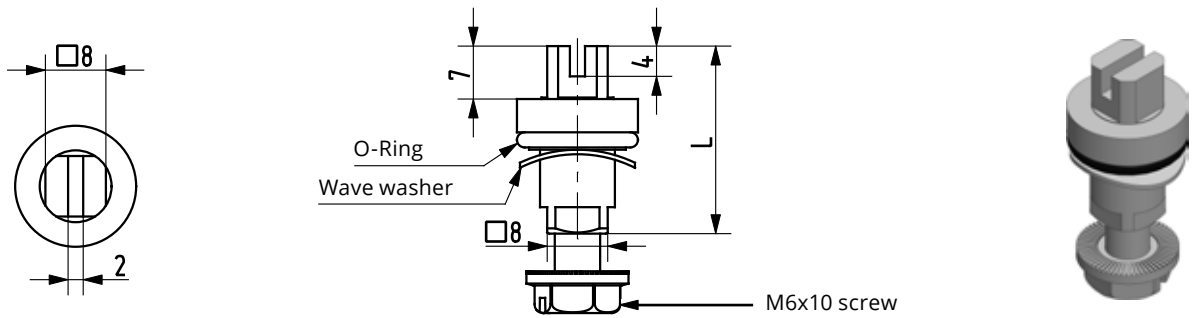


Part no.	L (mm)	Material	Surface	Housing mounting depth (H) mm	Corresponding key
90KO-KB070-00	24.8	1.4305	-	18	90ZA-ZK007-06
90KO-KB071-00	24.8	1.4571	-	18	90ZA-ZK007-06
90KO-KB170-00	36.8	1.4305	-	18	90ZA-ZK007-06
90KO-KB171-00	36.8	1.4571	-	18	90ZA-ZK007-06
90KO-KB172-00	42.8	1.4305	-	36	90ZA-ZK007-06
90KO-KB173-00	42.8	1.4571	-	36	90ZA-ZK007-06
90KO-KB174-00	46.8	1.4305	-	40	90ZA-ZK007-06
90KO-KB175-00	46.8	1.4571	-	40	90ZA-ZK007-06
90KO-KB176-00	56.8	1.4305	-	50	90ZA-ZK007-06
90KO-KB177-00	56.8	1.4571	-	50	90ZA-ZK007-06
90KO-KB178-00	66.8	1.4305	-	60	90ZA-ZK007-06
90KO-KB179-00	66.8	1.4571	-	60	90ZA-ZK007-06

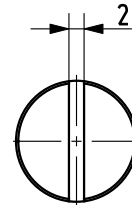
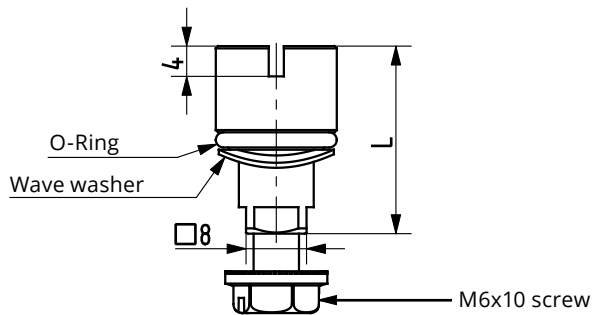




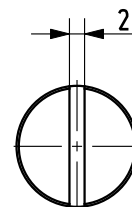
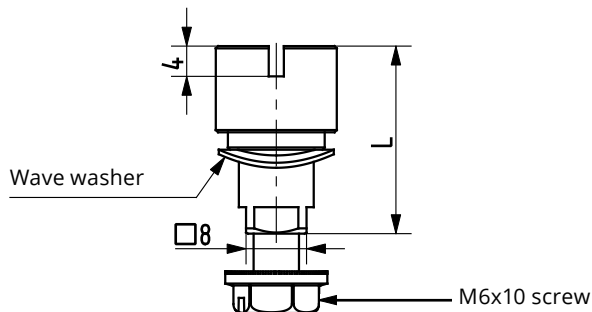
Part no.	L (mm)	Material	Surface	Housing mounting depth (H) mm	Corresponding key
90KO-KB072-00	24.8	1.4305	-	18	90ZA-ZK007-06
90KO-KB073-00	24.8	1.4571	-	18	90ZA-ZK007-06
90KO-KB210-00	36.8	1.4305	-	30	90ZA-ZK007-06
90KO-KB211-00	36.8	1.4571	-	30	90ZA-ZK007-06
90KO-KB212-00	42.8	1.4305	-	36	90ZA-ZK007-06
90KO-KB213-00	42.8	1.4571	-	36	90ZA-ZK007-06
90KO-KB214-00	46.8	1.4305	-	40	90ZA-ZK007-06
90KO-KB215-00	46.8	1.4571	-	40	90ZA-ZK007-06
90KO-KB216-00	56.8	1.4305	-	50	90ZA-ZK007-06
90KO-KB217-00	56.8	1.4571	-	50	90ZA-ZK007-06
90KO-KB218-00	66.8	1.4305	-	60	90ZA-ZK007-06
90KO-KB219-00	66.8	1.4571	-	60	90ZA-ZK007-06



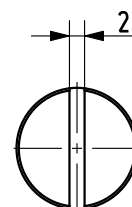
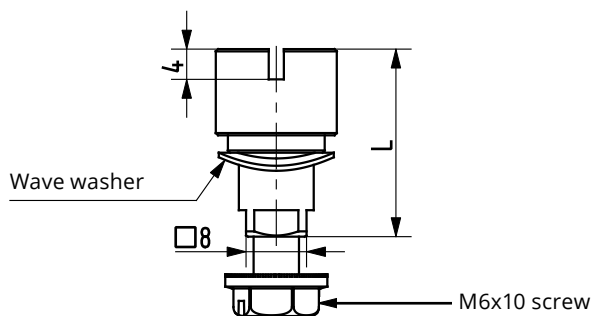
Part no.	L (mm)	Material	Surface	Housing mounting depth (H) mm	Corresponding key
90KO-KB058-00	24.8	1.4305	-	18	90ZA-ZK003-06
90KO-KB008-00	24.8	1.4571	-	18	90ZA-ZK003-06
90KO-KB130-00	36.8	1.4305	-	30	90ZA-ZK003-06
90KO-KB131-00	36.8	1.4571	-	30	90ZA-ZK003-06
90KO-KB132-00	42.8	1.4305	-	36	90ZA-ZK003-06
90KO-KB133-00	42.8	1.4571	-	36	90ZA-ZK003-06
90KO-KB134-00	46.8	1.4305	-	40	90ZA-ZK003-06
90KO-KB135-00	46.8	1.4571	-	40	90ZA-ZK003-06
90KO-KB136-00	56.8	1.4305	-	50	90ZA-ZK003-06
90KO-KB137-00	56.8	1.4571	-	50	90ZA-ZK003-06
90KO-KB138-00	66.8	1.4305	-	60	90ZA-ZK003-06
90KO-KB139-00	66.8	1.4571	-	60	90ZA-ZK003-06



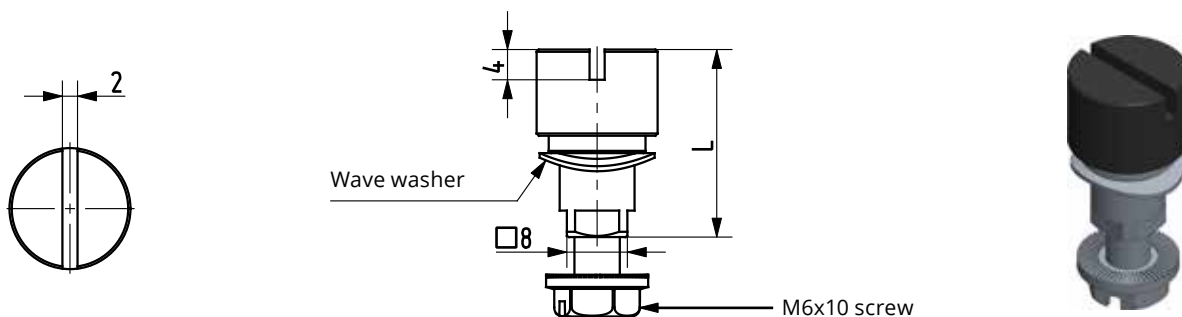
Part no.	L (mm)	Material	Surface	Housing mounting depth (H) mm
90KO-KB019-00	24.8	1.4305	-	18
90KO-KB069-00	24.8	1.4571	-	18
90KO-KB180-00	36.8	1.4305	-	30
90KO-KB181-00	36.8	1.4571	-	30
90KO-KB182-00	42.8	1.4305	-	36
90KO-KB183-00	42.8	1.4571	-	36
90KO-KB184-00	46.8	1.4305	-	40
90KO-KB185-00	46.8	1.4571	-	40
90KO-KB186-00	56.8	1.4305	-	50
90KO-KB187-00	56.8	1.4571	-	50
90KO-KB188-00	66.8	1.4305	-	60
90KO-KB189-00	66.8	1.4571	-	60



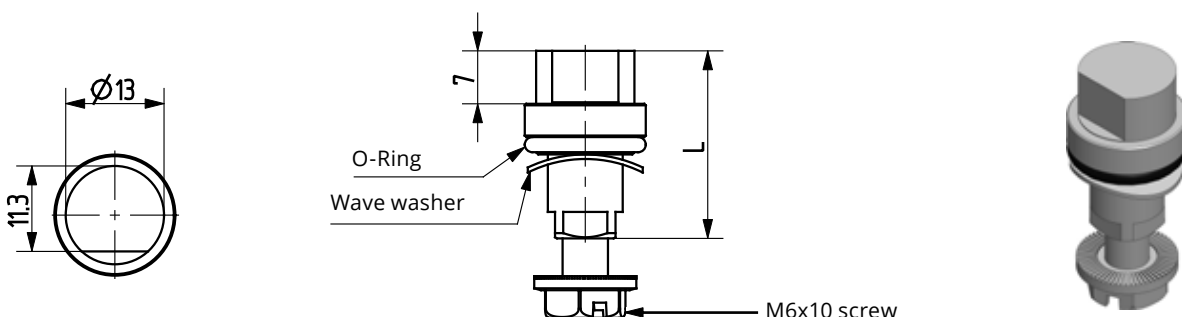
Part no.	L (mm)	Material	Surface	Housing mounting depth (H) mm
90PA-KB009-00	24.8	PA	-	18



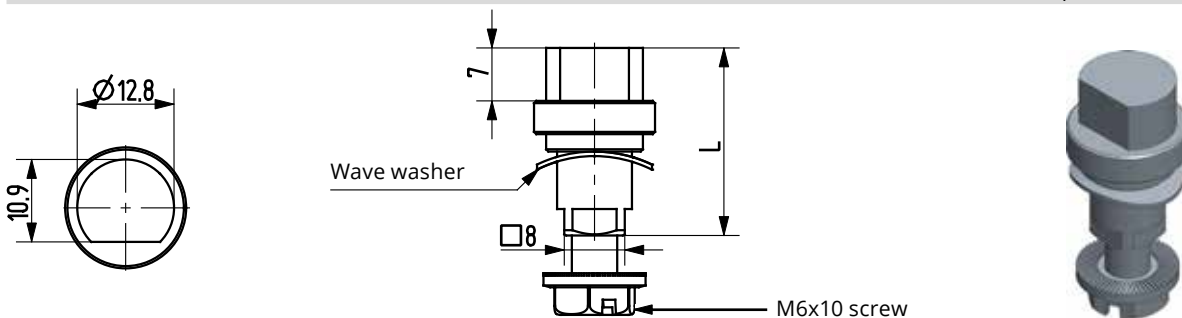
Part no.	L (mm)	Material	Surface	Housing mounting depth (H) mm
90ZA-KB009-04	24.8	zinc die	chrome plated	18



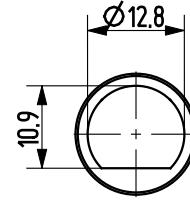
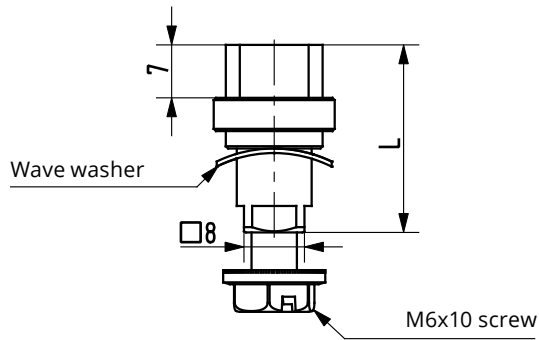
Part no.	L (mm)	Material	Surface	Housing mounting depth (H) mm
90ZA-KB009-06	24.8	zinc die	black powder coated	18



Part no.	L (mm)	Material	Surface	Housing mounting depth (H) mm	Corresponding key
90KO-KB055-00	24.8	1.4305	-	18	On request
90KO-KB240-00	24.8	1.4571	-	18	On request
90KO-KB200-00	36.8	1.4305	-	30	On request
90KO-KB201-00	36.8	1.4571	-	30	On request
90KO-KB202-00	42.8	1.4305	-	36	On request
90KO-KB203-00	42.8	1.4571	-	36	On request
90KO-KB204-00	46.8	1.4305	-	40	On request
90KO-KB205-00	46.8	1.4571	-	40	On request
90KO-KB206-00	56.8	1.4305	-	50	On request
90KO-KB207-00	56.8	1.4571	-	50	On request
90KO-KB208-00	66.8	1.4305	-	60	On request
90KO-KB209-00	66.8	1.4571	-	60	On request

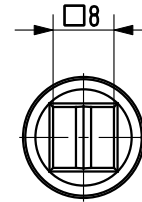
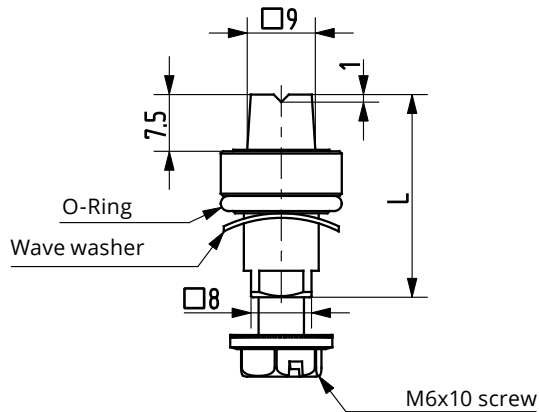


Part no.	L (mm)	Material	Surface	Housing mounting depth (H) mm	Corresponding key
90ZA-KB002-04	24.8	zinc die	chrome plated	18	On request

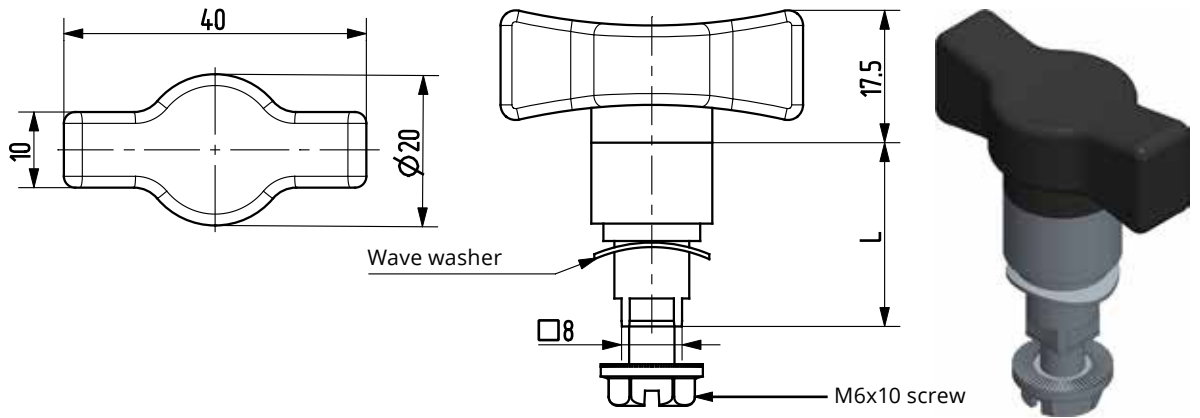


Part no.	L (mm)	Material	Surface	Housing mounting depth (H) mm	Corresponding key
90ZA-KB002-06	24.8	zinc die	black powder coated	18	On request

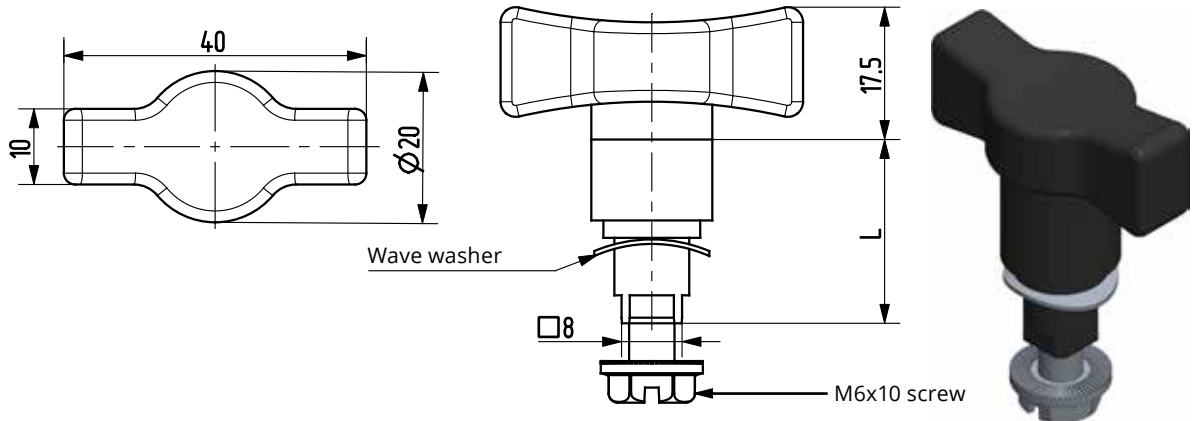
Railway



Part no.	L (mm)	Material	Surface	Housing mounting depth (H) mm	Corresponding key
90KO-KB222-00	26.8	1.4305	-	18	90ZA-ZK003-06
90KO-KB223-00	26.8	1.4571	-	18	90ZA-ZK003-06
90KO-KB224-00	38.8	1.4305	-	30	90ZA-ZK003-06
90KO-KB225-00	38.8	1.4571	-	30	90ZA-ZK003-06
90KO-KB226-00	44.8	1.4305	-	36	90ZA-ZK003-06
90KO-KB227-00	44.8	1.4571	-	36	90ZA-ZK003-06
90KO-KB228-00	48.8	1.4305	-	40	90ZA-ZK003-06
90KO-KB229-00	48.8	1.4571	-	40	90ZA-ZK003-06
90KO-KB230-00	58.8	1.4305	-	50	90ZA-ZK003-06
90KO-KB231-00	58.8	1.4571	-	50	90ZA-ZK003-06
90KO-KB052-00	68.8	1.4305	-	60	90ZA-ZK003-06
90KO-KB232-00	68.8	1.4571	-	60	90ZA-ZK003-06

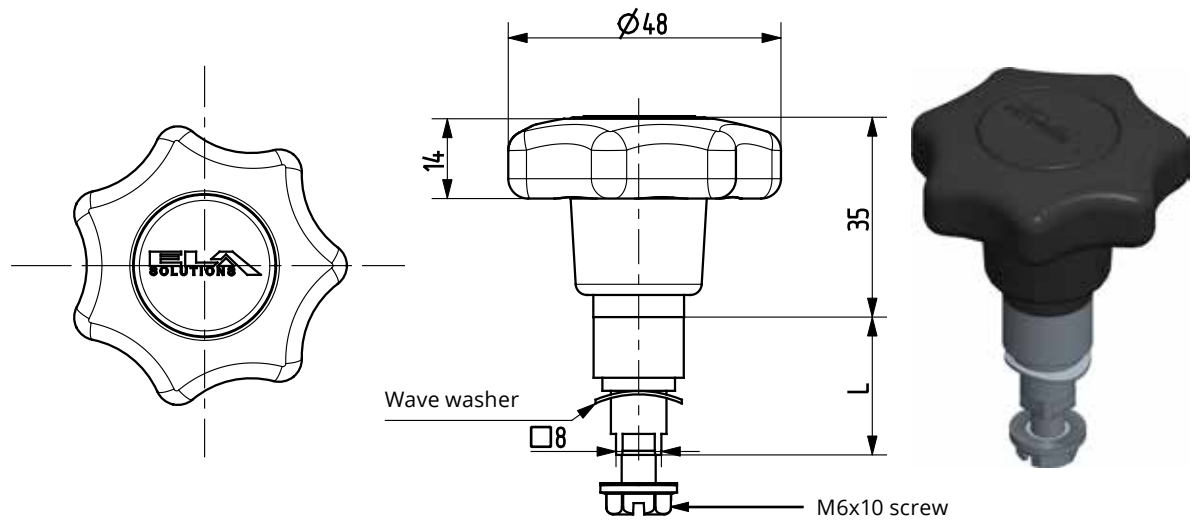


Part no.	L (mm)	Material	Surface	Housing mounting depth (H) mm
90ZA-KB027-00	24.8	zinc die / PA	-	18

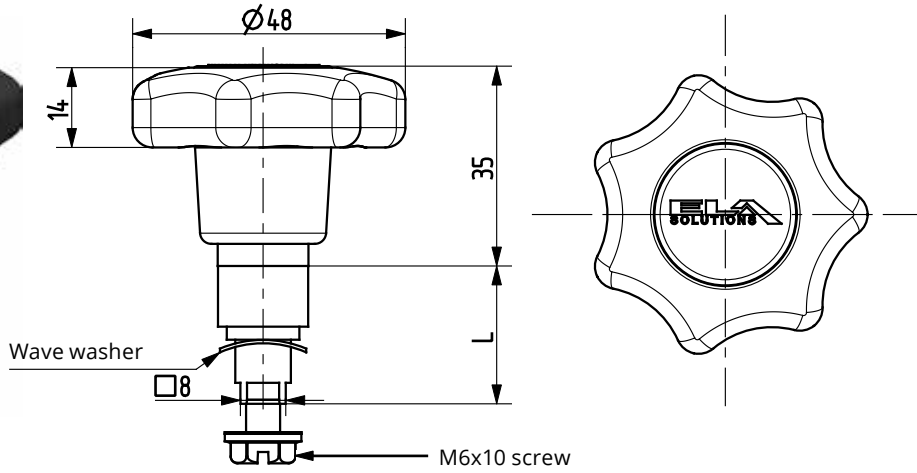


Part no.	L (mm)	Material	Surface	Housing mounting depth (H) mm
90PA-KB025-00	24.8	PA	-	18

Note:
*available
with own logo!
→



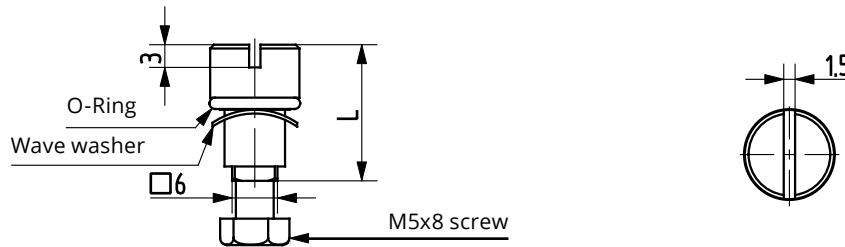
Part no.	L (mm)	Material	Surface	Housing mounting depth (H) mm
90ZA-KB028-00	24.8	zinc die / PA	-	18



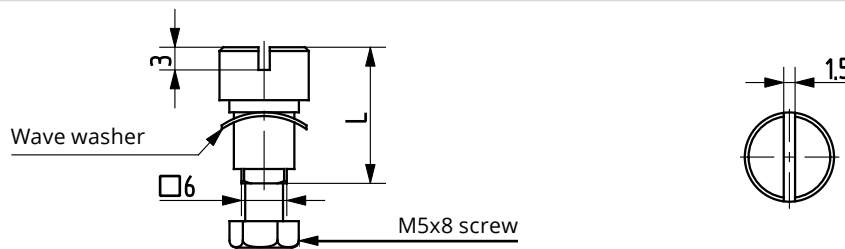
Note:
*available with
own logo!



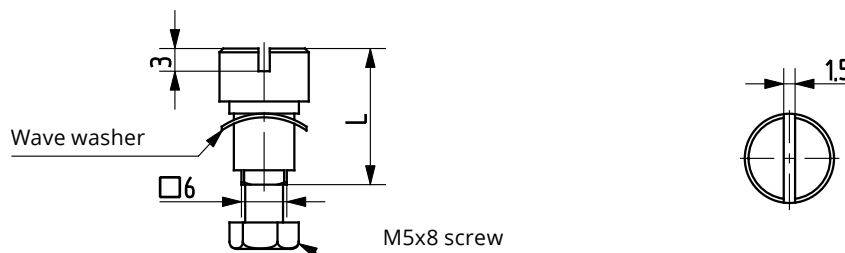
Part no.	L (mm)	Material	Surface	Housing mounting depth (H) mm
90PA-KB026-00*	24.8	PA	-	18



Part no.	L (mm)	Material	Surface	Housing mounting depth (H) mm
90KO-KB038-00	18	1.4305	-	13.5
90KO-KB074-00	18	1.4571	-	13.5

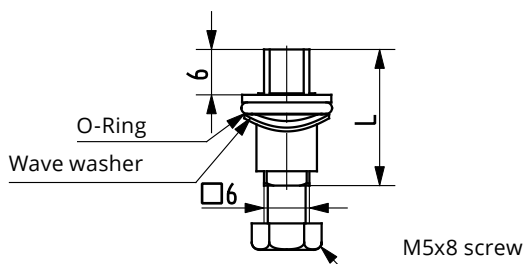
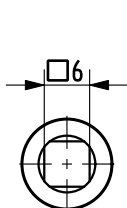


Part no.	L (mm)	Material	Surface	Housing mounting depth (H) mm
90ZA-KB010-04	18	zinc die	chrome plated	13.5

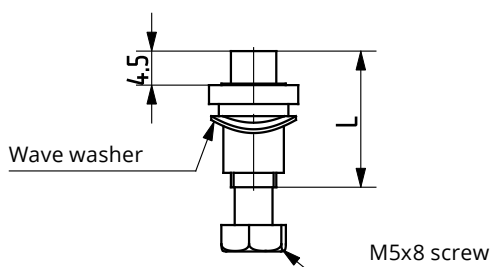
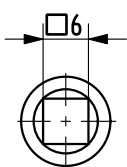


Part no.	L (mm)	Material	Surface	Housing mounting depth (H) mm
90ZA-KB010-06	18	zinc die	black powder coated	13.5

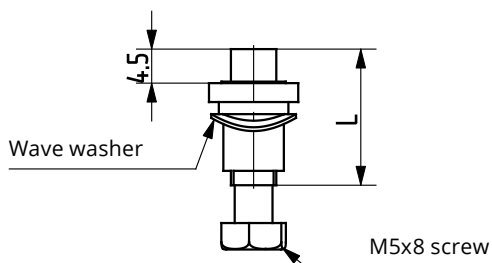
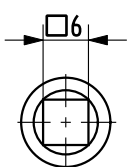




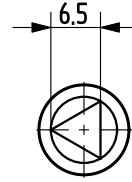
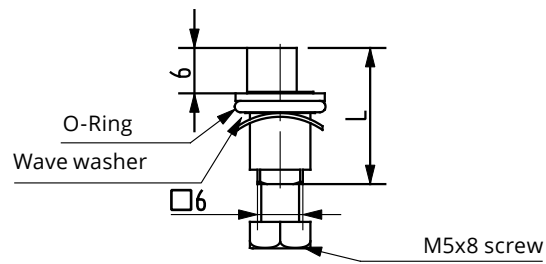
Part no.	L (mm)	Material	Surface	Housing mounting depth (H) mm	Corresponding key
90KO-KB075-00	18	1.4571	-	13.5	90ZA-ZK001-06
90KO-KB076-00	18	1.4305	-	13.5	90ZA-ZK001-06



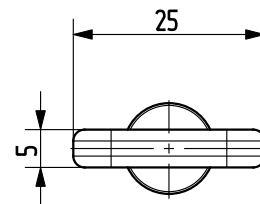
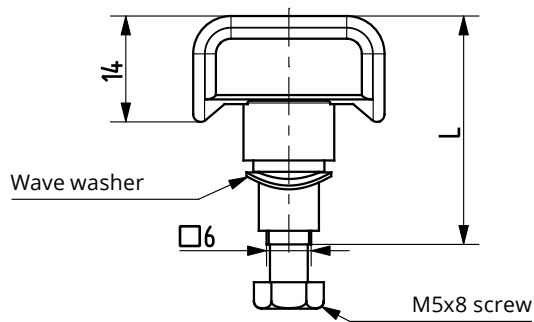
Part no.	L (mm)	Material	Surface	Housing mounting depth (H) mm	Corresponding key
90ZA-KB021-04	18	zinc die	chrome plated	13.5	90ZA-ZK001-06



Part no.	L (mm)	Material	Surface	Housing mounting depth (H) mm	Corresponding key
90ZA-KB021-06	18	zinc die	black powder coated	13.5	90ZA-ZK001-06



Part no.	L (mm)	Material	Surface	Housing mounting depth (H) mm	Corresponding key
90KO-KB077-00	18	1.4305	-	13.5	90ZA-ZK004-06
90KO-KB078-00	18	1.4571	-	13.5	90ZA-ZK004-06



Part no.	L (mm)	Material	Surface	Housing mounting depth (H) mm
90PA-KB024-00	30.2	PA	-	13.5